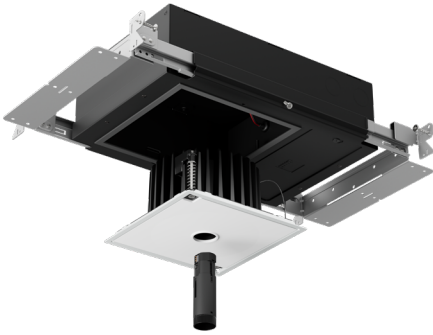


Project:	Type:
Product Code:	Date:

V041326



1" Round Downlight

Minimal aperture. Maximum presence

One inch of opening and over 1,000 lumens of output deliver the clean, uninterrupted ceiling the design demands without sacrificing the footcandles a space requires.

The last word in glare control

Three precision lenses. One patent-pending system. Zero visual noise. Our optical array ensures light goes exactly where it's needed.

Serviceability that protects your design

Tool-free module and driver replacement from below the ceiling means no patches, no paint, and no compromises to the architectural finish. The quiet ceiling stays quiet, long after installation day.

INSTALLATION

Ceiling Thickness

New Construction: 1/2" up to 1 1/4"

Ceiling Material

Drywall

TRIMS

Style

Standard

Finish

Black

LIGHT OUTPUT & DISTRIBUTION

Module

Downlight

Lumens (Power)

Warm Dim: 750 lm (15W)
Static CCT: 1000 lm (15W)




Color Quality

93 CRI, 2-step SDCM

Color Temperature

- 2400K *(Coming Soon)*
- 2700K
- 3000K
- 3500K
- 4000K
- Warm Dim (3000K–1800K)

Beam Spread

-  30°
Spot
-  40°
Flood
-  50°
Wide Flood

POWER & CONTROLS






Input Voltage

120V/277V

Dimming

Combo 0-10V & TRIAC/ELV (1%)

RATINGS & CERTIFICATIONS

-  IC (Insulation Contact) Rated
-  ASTM E283 Certified Air Tight
-  RoHS Compliant
-  DarkSky Approved
-  UL Listed for Damp Location

WARRANTY

5 year limited warranty; 50,000 hours

MAINTENANCE

The AC/DC driver is remote-mounted for accessibility, while Click-Lock module architecture enables tool-free optic, CCT, and DC-to-DC regulator swaps through the 1" aperture without ceiling damage



PRODUCT BUILDER

HOUSING

EXAMPLE: **1HNC**

PRODUCT CODE		APPLICATION	
1H		NC	
1H	1" Housing	NC	New Construction

HEATSINK

EXAMPLE: **1SDC**

PRODUCT CODE		DIMMING	
1SD		C	
1SD	1" Downlight Heatsink	C	Combo 0-10V/TRIAC/ELV

MODULE

EXAMPLE: **1MD0793WWF**

PRODUCT CODE		LUMENS		CRI		CCT		BEAM SPREAD	
1MD				9					
1MD	1" Downlight Module	07	750 lm ¹	9	93 CRI	24	2400K <i>(Coming Soon)</i>	SP	Spot (30°) ²
		10	1000 lm ²			27	2700K	FL	Flood (40°) ²
						30	3000K	WF	Wide Flood (50°)
						35	3500K		
						40	4000K		
						3W	Warm Dim (3000K-1800K)		

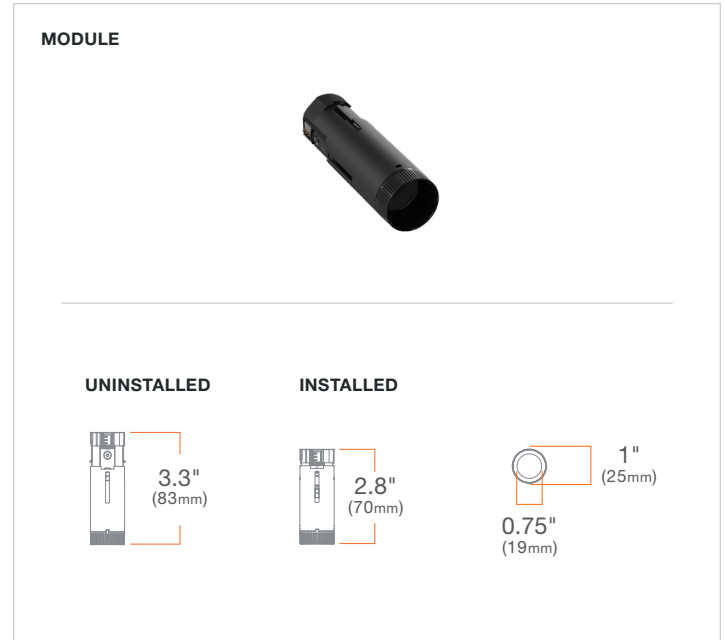
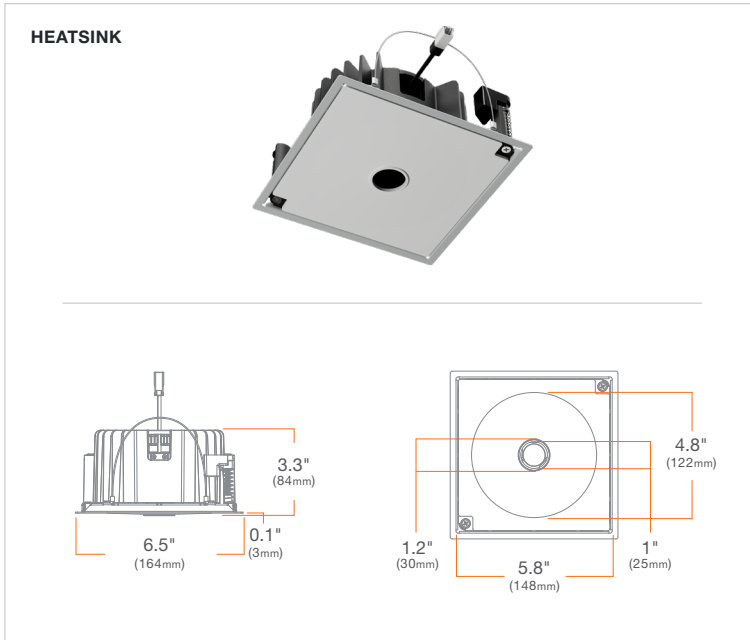
POWER SUPPLY

PST196WT101	Combo 0-10V & TRIAC/ELV Single Output Driver
--------------------	--

¹ Only available in Warm Dim

² Only available in Static CCT

HEATSINK & MODULE



DOWNLIGHT HEATSINK:

Dedicated heatsink with onboard DC regulator (included). Features an integral plaster plate that muds directly into drywall as the finish ceiling.

DOWNLIGHT MODULE:

Contains the LED chip and optics. Inserts and locks into the heatsink at final installation. Includes integral non-removable black trim.

SUMMARY

	STATIC CCT	WARM DIM
CCT	2400K (<i>Coming Soon</i>), 2700K, 3000K, 3500K, 4000K	3000K - 1800K
LUMENS (POWER)	1000 lm (15W)	750 lm (15W)
EFFICACY	67 lm/W	50 lm/W
COLOR QUALITY	93 CRI, 2-step SDCM	93 CRI, 2-step SDCM
BEAM SPREAD	Spot (30°), Flood (40°), Wide Flood (50°)	Wide Flood (50°)
DIMMING	Combo 0-10V & TRIAC/ELV	Combo 0-10V & TRIAC/ELV
LED CHIP	Cree	Bridgelux
LISTINGS	California Title 24 2016-2022 JA8-E compliant, UL Certified US-CA, Declare, RoHS compliant, Shatter-resistant Construction, Dark Sky Compliant, UL Listed for Damp Location	

ADDITIONAL

INPUT VOLTAGE: 48VDC

CONNECTOR: Molex CP Connector

AMBIENT OPERATING TEMPERATURE: -20°C to 40°C (-4°F to 104°F)

WARRANTY: 5 year limited warranty; 50,000 hours

MODULE PERFORMANCE

Based on 93 CRI, 3000K Module + Standard Black Trim

(Please refer to IES files for other trim types)

		STATIC CCT	WARM DIM
LED CHIP		Cree 93 CRI	Bridgelux 93 CRI
SDCM		2-STEP	2-STEP
PN DESIGNATION		10	07
WATTAGE		15W	15W
SP	Lumens	1075	N/A
	LPW ¹	71.7	
	CBCP ²	3970	
	UGR ³	10.3	
FL	Lumens	1040	N/A
	LPW	69.3	
	CBCP	2661	
	UGR	11.5	
WF	Lumens	1080	665
	LPW	72.0	44.3
	CBCP	1565	917
	UGR	<i>Coming Soon</i>	<i>Coming Soon</i>

CCT MULTIPLIER	STATIC					WARM DIM	
	2400K <i>(Coming Soon)</i>	2700K	3000K	3500K	4000K	1800K	3000K
	0.9	0.93	1	1.05	1.07	0.05	1

¹ LPW: Lumens per watt

² CBCP: Center beam candlepower

³ UGR: Unified glare ratio (0.7/0.5/0.2, 4H/8H)

HOUSING



New Construction

1HNC

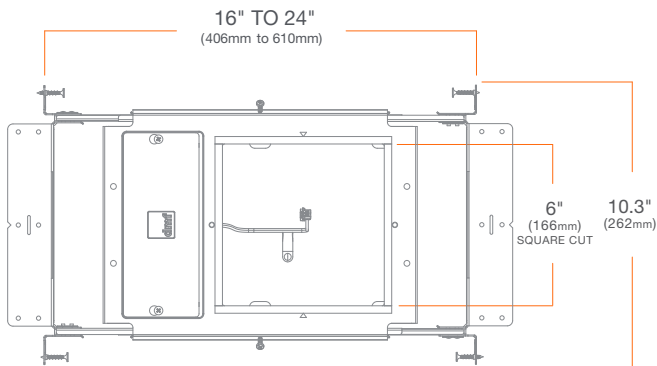
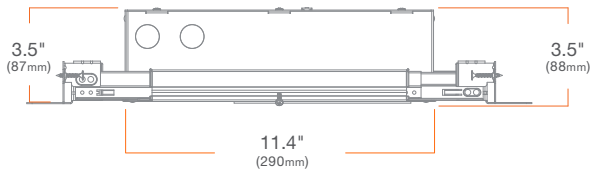
LOW-VOLTAGE JUNCTION BOX: Equipped with 6 knockouts, two 1/2" trade size knockouts on each side. Accessible door from bottom of housing.

BAR HANGER MOUNTING: Adjustable Bar Hangers for 16" to 24" joist spacing, 17 1/4" spacing required for centering opening. Compatible with traditional joists, Armstrong TM ceiling, Hat Channel and T-Bar. Vertical adjustment (1/2"-1 1/4").

CEILING: 1/2" up to 1 1/4"

CUTOUT: 6" square opening

LISTINGS: ASTM E283 certified Air Tight, IC (Insulation Contact) up to R-32 for Roll, Batt, and Loose Fill.



DRIVER



Combo 0-10V & TRIAC/ELV Single Output Driver

PST196WT101

SUMMARY:

Single Output Driver powers up to 5 fixtures and is optimized for long home runs of 100' using 16/2. Built-in junction boxes enable convenient and compliant wiring without the need for added components.

OUTPUT: 48VDC, 96W, Class 2

INPUT VOLTAGE: 120/277V VAC

DIMMING: Combo 0-10V & TRIAC/ELV (1%)

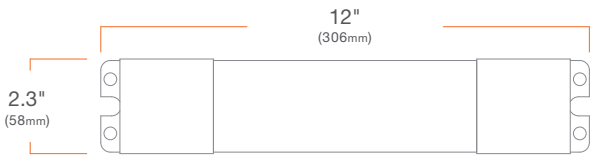
MAX INPUT CURRENT (120V): 1 A

MAX INPUT CURRENT (277V): 0.45 A

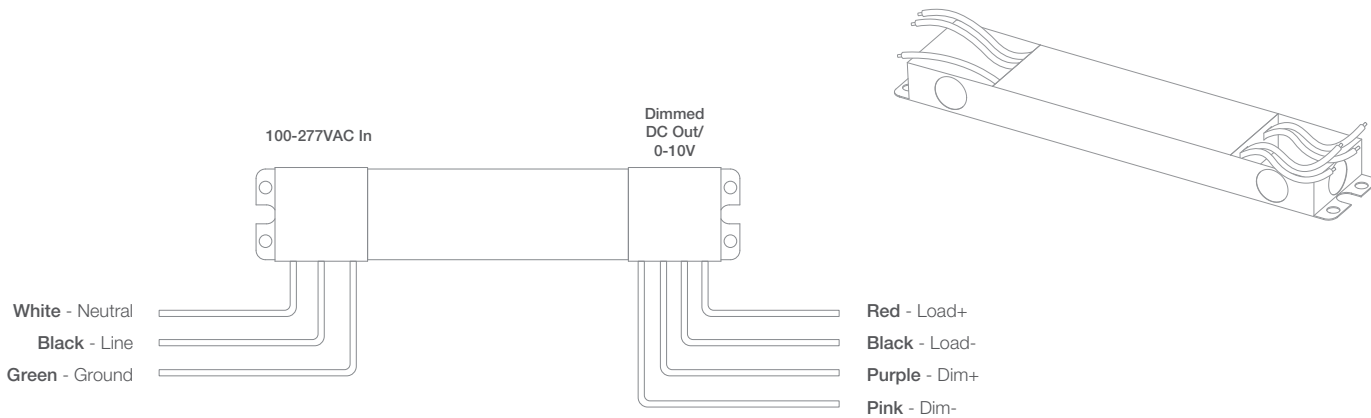
POWER FACTOR: Greater than 0.9

TOTAL HARMONIC DISTORTION: Less than 20%

LISTINGS: Compliant with FCC CFR Title 47 Part 15; Class B, Compliant with NEC 300.14



WIRING DIAGRAM:

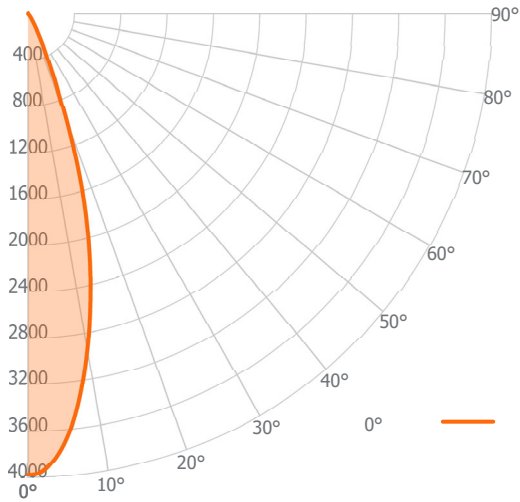


PHOTOMETRY

1MD 1000 lm, 3000K, Spot

1MD10930SP

Candela Distribution



Luminous Intensity

Angle	Luminous Intensity (cd)
0°	3978
15°	2015
30°	110
45°	7
60°	1
75°	1
90°	1

Zonal Lumen Summary

Zone	Lumens	Luminaire %
0° - 30°	1033	96%
0° - 40°	1062	99%
0° - 60°	1068	99%
0° - 90°	1070	100%
0° - 180°	1075	100%

Illuminance Chart

Distance from LED	Foot Candles	Diameter
3 ft	442.0 fc	1.6 ft
6 ft	110.5 fc	3.2 ft
9 ft	49.1 fc	4.9 ft
12 ft	27.6 fc	6.5 ft

Input Watts: 15.0 W

Lumens: 1075 lm

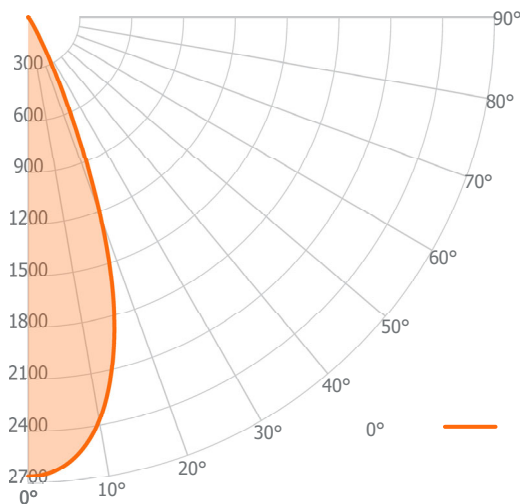
Efficacy: 72 lm/W

Beam Angle: 30°

1MD 1000 lm, 3000K, Flood

1MD10930FL

Candela Distribution



Luminous Intensity

Angle	Luminous Intensity (cd)
0°	2662
5°	2598
10°	2374
15°	1927
20°	1222
25°	463
30°	126
35°	45
40°	21
45°	12
50°	6
55°	1
60°	1
65°	1
70°	1
75°	1
80°	0
85°	1
90°	1

Zonal Lumen Summary

Zone	Lumens	Luminaire %
0° - 30°	991	95%
0° - 40°	1023	98%
0° - 60°	1034	99%
0° - 90°	1036	100%
0° - 180°	1040	100%

Illuminance Chart

Distance from LED	Foot Candles	Diameter
3 ft	295.8 fc	2.1 ft
6 ft	73.9 fc	4.2 ft
9 ft	32.9 fc	6.3 ft
12 ft	18.5 fc	8.4 ft

Input Watts: 15.0 W

Lumens: 1040 lm

Efficacy: 69 lm/W

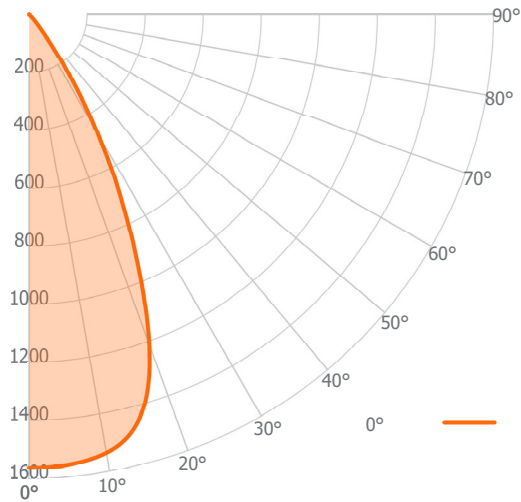
Beam Angle: 39°

PHOTOMETRY

1MD 1000 lm, 3000K, Wide Flood

1MD10930WF

Candela Distribution



Luminous Intensity

Angle	Intensity (cd)
0°	1565
15°	1453
30°	474
45°	22
60°	1
75°	0
90°	0

Zonal Lumen Summary

Zone	Lumens	Luminaire %
0° - 30°	922	85%
0° - 40°	1053	98%
0° - 60°	1076	100%
0° - 90°	1077	100%
0° - 180°	1080	100%

Illuminance Chart

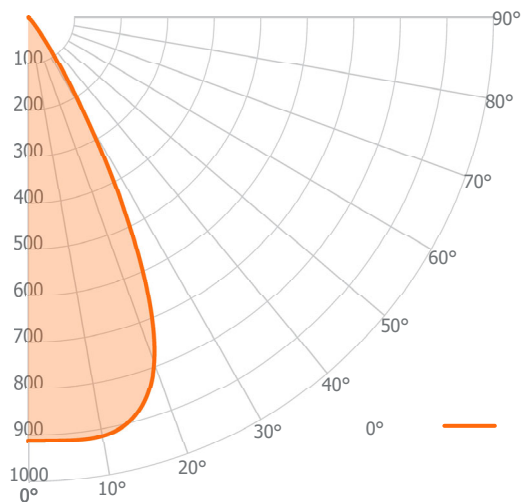
Distance from LED	Foot Candles	Diameter
3 ft	173.9 fc	2.9 ft
6 ft	43.5 fc	5.7 ft
9 ft	19.3 fc	8.6 ft
12 ft	10.9 fc	11.5 ft

Input Watts: **15.0 W**
 Lumens: **1080 lm**
 Efficacy: **72 lm/W**
 Beam Angle: **51°**

1MD 750 lm, Warm Dim (3000K-1800K), Wide Flood

1MD0793WWF

Candela Distribution



Luminous Intensity

Angle	Intensity (cd)
0°	913
15°	888
30°	254
45°	15
60°	1
75°	1
90°	1

Zonal Lumen Summary

Zone	Lumens	Luminaire %
0° - 30°	578	87%
0° - 40°	641	96%
0° - 60°	655	99%
0° - 90°	659	99%
0° - 180°	665	100%

Illuminance Chart

Distance from LED	Foot Candles	Diameter
3 ft	101.4 fc	3.0 ft
6 ft	25.4 fc	6.0 ft
9 ft	11.3 fc	9.0 ft
12 ft	6.3 fc	12.0 ft

Input Watts: **15.0 W**
 Lumens: **665 lm**
 Efficacy: **44 lm/W**
 Beam Angle: **53°**