

M Series 4" Non-IC

Project:	Type:
Product Code:	Date:

V050426



Round Downlight

Versatile Solution for all spaces providing high quality lighting ranging from 750lm all the way up to 3500lm

Expedited Install with our easily adjustable universal housing and bar hanger systems allowing for application in most ceiling types

Enhanced Serviceability is achieved through interchangeable modules, optics, and trims, all of which allow for ease of maintenance and implementation of design changes below the ceiling plane

Seamless Integration with many control systems allowing two-channel control dimming options down as low as 0.1%

INSTALLATION

Ceiling Thickness

New Construction: 1/2" up to 2"

Remodel: 1/2" up to 1 1/4"

Extension Collar: 2" to 3"

Ceiling Material

Drywall, Millwork, Acoustical Ceiling Tile

TRIMS

Aperture

4"

Shape

Round

Style

Standard, Flangeless, Wall Wash/Sloped Ceiling, Pinhole, Hyperbolic, Decorative, Vandal Proof/IP66, Coastal Marine Grade/IP66

Finish

White, Black, Bronze, Clear Diffuse, Custom Color (RAL Colors)

LIGHT OUTPUT & DISTRIBUTION

Module

Downlight

Lumens (Power)

750 lm (9.5W), 1000 lm (12.5W), 1250 lm (14.3W), 1500 lm (14.3W), 2000 lm (24.5W), 2500 lm (27.5W), 3000 lm (34.0W), 3500 lm (40.5W)

Color Quality

93 CRI, 2-step SDCM

Color Temperature

2400K 2700K 3000K

3500K 4000K

Warm Dim (3000K–1800K)

Tunable White (6500–2700K)

Beam Spread

15°
Narrow Spot

25°
Spot

40°
Flood

60°
Wide Flood

90°+
General Ambient

POWER & CONTROLS

Input Voltage

120 / 277V

Dimming

0-10V (1%), DALI-2 (0.1%),
Lutron Athena Wireless Node (1%)

RATINGS & CERTIFICATIONS

Housing

ASTM E283 Certified Air Tight
(Option Available)

RoHS Compliant
(Suitable for Use in Air-Handling Space,
Complies with UL2043)

Module and Trim

Wet Location/IP66 Rated
Configurations Available
(Flanged trims, under covered areas only)

IK10 Rated Option Available
(Vandal Proof Trim)

Warranty

5 year limited warranty; 50,000 hours

MAINTENANCE

LED chip integrated in module; driver embedded or externally connected via detachable touch-safe cable. Plug-and-play, tool-free serviceability and replacement from below ceiling.



Declare.





DMF LightSpeed
Our Quickest Shipping Selections are Highlighted for shipping in **2 days or less**
All other items qty 100 or less ship in 5 days or less (custom color excluded)

M Series 4" Non-IC

Round Downlight

PRODUCT BUILDER | ROUND | DOWNLIGHT | EMBEDDED 0-10V

HOUSING

EXAMPLE: **M4NCRN**

PRODUCT CODE	
M4NCRN	4" Round Housing, New Construction, Non-IC Rated
M4RMRN	4" Round Housing, Remodel, Non-IC Rated ¹

LIGHT MODULE

EXAMPLE: **MD07924GAO**

PRODUCT CODE		LUMENS		CRI		CCT		BEAM SPREAD		DIMMING	
MD				9						O	
MD	Downlight Module	07	750 lm	9	93 CRI	24	2400K ²	GA	General Ambient (90°+) ⁴	O	0-10V
		10	1000 lm			27	2700K	NS	Narrow Spot (15°) ⁴		
		12	1250 lm			30	3000K	SP	Spot (25°)		
		15	1500 lm			35	3500K	FL	Flood (40°)		
		20	2000 lm			40	4000K	WF	Wide Flood (60°)		
		25	2500 lm			3W	Warm Dim (3000-1800K) ³				
		30	3000 lm								
		35	3500 lm								

TRIM | STANDARD

EXAMPLE: **M4TRSWH**

PRODUCT CODE		FINISH		OPTION	
M4TRS	Standard Trim	WH	White	[Blank]	None
M4TRL	Wall Wash/Sloped Ceiling Trim ⁵	BK	Black	FL	Flangeless ⁹
M4TRP	Pinhole Trim ^{6,7}	BZ	Bronze ⁸	VP	Vandal Proof/IP66 ¹⁰
M4TRH	Hyperbolic Trim ⁷	CW	Clear Diffuse, White Flange	IP	Coastal Marine Grade/IP66 ¹¹
		CC	Custom Color (RAL Colors)		

TRIM | DECORATIVE (WHITE FINISH ONLY)

M4TRSWHDOF	Decorative Open, Frosted ^{6,12}
M4TRSWHDCC	Decorative Closed, Clear Frosted Side ^{6,12}
M4TRSWHDCCF	Decorative Closed, Clear Frosted Inside ^{6,12}

ACCESSORIES

M4XRMUD	Flangeless Mud Plate (Required for Flangeless Trim drywall installation)
M4KRTEMPLATE	Flangeless Wood Template (Recommended for Flangeless Trim wood installation)
M4CREXT	Round Extension Collar (For New Construction Only - Ceiling Installations up to 3")

LOOSE OPTIC ACCESSORIES

MDLX-GA	Low Lumen (750-2000LM) Downlight Optic GA 90° Beam Spread
MDLX-NS	Low Lumen (750-2000LM) Downlight Optic NS 15° Beam Spread
MDLX-SP	Low Lumen (750-2000LM) Downlight Optic SP 25° Beam Spread
MDLX-FL	Low Lumen (750-2000LM) Downlight Optic FL 40° Beam Spread
MDLX-WF	Low Lumen (750-2000LM) Downlight Optic WF 60° Beam Spread
MDHX-SP	High Lumen (2500-3500LM) Downlight Optic SP 25° Beam Spread
MDHX-FL	High Lumen (2500-3500LM) Downlight Optic FL 40° Beam Spread
MDHX-WF	High Lumen (2500-3500LM) Downlight Optic WF 60° Beam Spread

¹ Not available with Flangeless, Vandal Proof, Coastal/Marine Grade trim options or Extension Collars

² Only available in 750 - 1000 lm

³ Only available in 1000 lm; Not available in NS beam spread

⁴ Only available in 750 - 2000 lm

⁵ Recommended with WF Beam spread for general wall washing and SP for sloped ceilings; Not available in Bronze finish

⁶ Only available in 750 - 1500 lm

⁷ Only available in White, Black or Custom Color finish

⁸ Only available in Standard trim style

⁹ Mud plate required for FL installation, except for wood ceiling; Not compatible with remodel housing; Not available in Clear Diffuse finish

¹⁰ Only available in Standard trim style and White, Anti-Microbial finish for installation in New Construction housing only; Not compatible with Extension Collar

¹¹ Only available in Standard trim style with White or Black Marine Grade finish for installation in New Construction housing only; Not compatible with Extension Collars

¹² Recommended for use with GA beam spread



DMF LightSpeed
Our Quickest Shipping Selections are Highlighted for shipping in 2 days or less
All other items qty 100 or less ship in 5 days or less (custom color excluded)

M Series 4" Non-IC

Round Downlight

PRODUCT BUILDER | ROUND | DOWNLIGHT | ATHENA WIRELESS NODE/DALI-2

HOUSING

EXAMPLE: **M4NCRN070AWN**

PRODUCT CODE		INSTALLATION		SHAPE		RATING		OUTPUT		DIMMING		WIRELESS	
M4		NC		R		N							
M4	4" Housing	NC	New Construction	R	Round	N	Non-IC	07	750 lm	O	0-10V	[Blank]	None (DALI-2 Only)
								10	1000 lm	DS	DALI-2 (Static CCT) ¹	AWN	Athena Wireless Node
								12	1250 lm	DT	DALI-2 (Tunable White) ^{2,3}		
								15	1500 lm				
								20	2000 lm				
								25	2500 lm				
								30	3000 lm				
								35	3500 lm				

LIGHT MODULE

EXAMPLE: **MD07924GAA**

PRODUCT CODE		LUMENS		CRI		CCT		BEAM SPREAD		DIMMING	
MD				9						A	
MD	Downlight Module	07	750 lm	9	93 CRI	24	2400K ⁴	GA	General Ambient (90°+) ⁸	A	Alternate
		10	1000 lm			27	2700K	NS	Narrow Spot (15°) ⁸		
		12	1250 lm			30	3000K	SP	Spot (25°)		
		15	1500 lm			35	3500K	FL	Flood (40°)		
		20	2000 lm			40	4000K	WF	Wide Flood (60°)		
		25	2500 lm			3W	Warm Dim (3000-1800K) ^{5,6}				
		30	3000 lm			T2	Tunable White (6500-2700K) ^{2,7,3}				
		35	3500 lm								

TRIM | STANDARD

EXAMPLE: **M4TRSWH**

PRODUCT CODE		FINISH		OPTION	
M4TRS	Standard Trim	WH	White	[Blank]	None
M4TRL	Wall Wash/Sloped Ceiling Trim ⁹	BK	Black	FL	Flangeless ¹²
M4TRP	Pinhole Trim ^{3,10}	BZ	Bronze ¹¹	VP	Vandal Proof/IP66 ¹³
M4TRH	Hyperbolic Trim ¹⁰	CW	Clear Diffuse, White Flange	IP	Coastal Marine Grade/IP66 ¹⁴
		CC	Custom Color (RAL Colors)		

TRIM | DECORATIVE (WHITE FINISH ONLY)

M4TRSWHDOF	Decorative: Open, Frosted ^{3,15}
M4TRSWHDCC	Decorative: Closed, Clear Frosted Side ^{3,15}
M4TRSWHDCCF	Decorative: Closed, Clear Frosted Inside ^{3,15}

ACCESSORIES

M4XRMD	Flangeless Mud Plate (Required for Flangeless Trim drywall installation)
M4KRTEMPLATE	Flangeless Wood Template (Recommended for Flangeless Trim wood installation)
M4CREXT	Round Extension Collar (For New Construction Only - Ceiling Installations up to 3")

¹ Not available in 3500 lm

² Not available in NS or GA Beam Spreads

³ Only available in 750 - 1500 lm

⁴ Only available in 750 - 1000 lm

⁵ Only available in 1000 lm

⁶ Not available in NS beam spread

⁷ Only available in DALI-2 Dimming

⁸ Only available in 750 - 2000 lm

⁹ Recommended with WF beam spread for standard wall washing and SP for sloped ceiling; Not available in Bronze finish

¹⁰ Only available in White, Black or Custom Color finish

¹¹ Only available in Standard trim style

¹² Mud Plate required for FL Install except for wood ceiling; Not available in Clear Diffuse finish

¹³ Only available in Standard trim style with White, Anti-Microbial finish. Not compatible with Extension Collar

¹⁴ Only available in Standard trim style with White or Black Marine Grade finish. Not compatible with Extension Collars

¹⁵ Recommended with General Ambient beam spread



DMF LightSpeed
Our Quickest Shipping Selections are Highlighted for shipping in 2 days or less
All other items qty 100 or less ship in 5 days or less (custom color excluded)

M Series 4" Non-IC

Round Downlight

PRODUCT BUILDER | ROUND | DOWNLIGHT | EMERGENCY LIGHTING

HOUSING

EXAMPLE: **M4NCRN07OEMS**

PRODUCT CODE		INSTALLATION		SHAPE		RATING		LUMEN		DIMMING		WIRELESS		OPTION	
M4		NC		R		N									
M4	4" Housing	NC	New Construction	R	Round	N	Non-IC	07	750 lm	O	0-10V for EM only	[Blank]	None	EM	Emergency driver, Integrated switch ⁴
								10	1000 lm	DS	DALI-2 Static CCT ¹	AWN	Athena Wireless Node	EMS	Emergency driver, Remote switch
								12	1250 lm	DT	DALI-2 Tunable White CCT ^{2,3}				
								15	1500 lm						
								20	2000 lm						
								25	2500 lm						
								30	3000 lm						
								35	3500 lm						

LIGHT MODULE

EXAMPLE: **MD07924GAA**

PRODUCT CODE		LUMENS		CRI		CCT		BEAM SPREAD		DIMMING	
MD				9						A	
MD	Downlight Module	07	750 lm	9	93 CRI	24	2400K ⁵	GA	General Ambient (90°+) ⁹	A	Alternate
		10	1000 lm			27	2700K	NS	Narrow Spot (15°) ⁹		
		12	1250 lm			30	3000K	SP	Spot (25°)		
		15	1500 lm			35	3500K	FL	Flood (40°)		
		20	2000 lm			40	4000K	WF	Wide Flood (60°)		
		25	2500 lm			3W	Warm Dim (3000-1800K) ^{6,7}				
		30	3000 lm			T2	Tunable White (6500-2700K) ^{2,3,8}				
		35	3500 lm								

TRIM | STANDARD

EXAMPLE: **M4TRSWH**

PRODUCT CODE		FINISH		OPTION	
M4TRS	Standard Trim	WH	White	[Blank]	None
M4TRL	Wall Wash/ Sloped Ceiling ¹⁰	BK	Black	FL	Flangeless ¹³
M4TRP	Pinhole Trim ^{3,11}	BZ	Bronze ¹²	EM	Integrated Test Switch ^{4,14}
M4TRH	Hyperbolic Trim ¹¹	CW	Clear Diffuse, White Flange	VP	Vandal Proof/IP66 ¹⁵
		CC	Custom Color (RAL Colors)	IP	Coastal Marine Grade/IP66 ¹⁶

TRIM | DECORATIVE (WHITE FINISH ONLY)

M4TRSWHDOF	Decorative: Open, Frosted ^{3,17}
M4TRSWHDCC	Decorative: Closed, Clear Frosted Side ^{3,17}
M4TRSWHDCCF	Decorative: Closed, Clear Frosted Inside ^{3,17}

ACCESSORIES

M4XRMD	Flangeless Mud Plate (Required for Flangeless Trim drywall installation)
M4KRTEMPLATE	Flangeless Wood Template (Recommended for Flangeless Trim wood installation)
M4CREXT	Round Extension Collar (For New Construction Only - Ceiling Installations up to 3")

¹ Not available in 3500 lm

² Not available with GA or NS Beam Spread

³ Only available 750 - 1500 lm

⁴ Integrated test switch must be selected for both housing and trim

⁵ Only available in 750 - 1000 lm

⁶ Only available in 1000 lm

⁷ Not available in NS beam Spread

⁸ Only available in DALI-2 dimming

⁹ Only available in 750 - 2000 lm

¹⁰ Recommended with WF beam spread for general wall washing and SP beam spread for sloped ceiling; Not available in Bronze finish

¹¹ Only available in White, Black or Custom Color finish

¹² Only available in Standard trim style

¹³ Mud Plate required for FL install except for wood ceiling; Not available in Clear Diffuse finish

¹⁴ Only available in Standard trim style with White or Clear Diffuse finish

¹⁵ Only available in Standard trim style with White, Anti-Microbial finish; Not compatible with extension collar

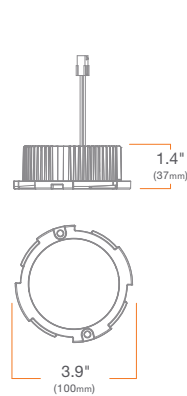
¹⁶ Only available in Standard trim style with White or Black Marine Grade finish. Only compatible with EMS (Remote Test Switch) Housing. Not compatible with Extension Collars

¹⁷ Recommended in General Ambient beam spread

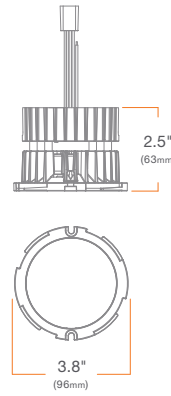
MODULE



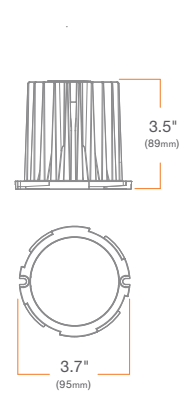
750-1500



2000



2500+ DALI-2



SUMMARY

	STATIC CCT	WARM DIM	TUNABLE WHITE
CCT	2400K, 2700K, 3000K, 3500K, 4000K	3000K - 1800K	6500K - 2700K
LUMENS (POWER)	750 lm (9.5W), 1000 lm (12.5W), 1250 lm (14.3W), 1500 lm (14.3W), 2000 lm (24.5W), 2500 lm (27.5W), 3000 lm (34.0W), 3500 lm (40.5W)	1000 lm (12.5W)	750 lm (9.5W), 1000 lm (12.5W), 1250 lm (14.3W), 1500 lm (14.3W)
EFFICACY	79 lm/W, 80 lm/W, 87 lm/W, 105 lm/W, 82 lm/W, 91 lm/W, 88 lm/W, 86 lm/W	80 lm/W	79 lm/W, 80 lm/W, 87 lm/W, 105 lm/W
COLOR QUALITY	93 CRI ¹ , 2-step SDCM	93 CRI ¹ , 2-step SDCM	93 CRI ¹ , 3-step SDCM
BEAM SPREAD	General Ambient (90°+), Narrow Spot (15°), Spot (25°), Flood (40°), Wide Flood (60°)	General Ambient (90°+), Spot (25°), Flood (40°), Wide Flood (60°)	Spot (25°), Flood (40°), Wide Flood (60°)
DIMMING	0-10V, DALI-2, Lutron Athena Wireless Node	0-10V, DALI-2, Lutron Athena Wireless Node	DALI-2, Lutron Athena Wireless Node
LED CHIP	Bridgelux (2400K), Cree (All other CCT)	Bridgelux	Bridgelux
LISTINGS	ENERGY STAR® qualified ² , UL Listed for Wet Location (Under covered ceilings only), UL Certified US•CA, Declare, RoHS Compliant, NSF/ANSI 2 listed, suitable for splash zone ³ , Shatter-proof construction, DarkSky Approved ⁴ , DALI-2 Compliant, Compliant to FCC Title 47 Part 15; Class B		
SPECIAL LISTINGS	Vandal Proof Trim: IK10 Rating, IP66 Listing, Anti-Microbial Finish, Ligature Resistant Construction Coastal/Marine Grade Trim: IK10 Rating, IP66, Marine Grade Finish		

¹ Tested in accordance to IESNA LM-79-2008

² Refer to ENERGY STAR Certified light fixtures database

³ White and Black Finish only

⁴ DarkSky Approved is only applicable to CCT Options less than or equal to 3000K

ADDITIONAL

INPUT VOLTAGE: 120/277V, 50/60Hz

MAX INPUT CURRENT (120V): 0.350 amps

MAX INPUT CURRENT (277V): 0.165 amps

AC CONNECTOR: 6 pin Molex

DC CONNECTOR: Male 4-Pin Low Voltage Connector

POWER FACTOR: Greater than 0.9

TOTAL HARMONIC DISTORTION: Less than 20%

AMBIENT OPERATING TEMPERATURE: -20°C to 40°C

WARRANTY: 5 year limited warranty; 50,000 hours at 70% lumen maintenance

MODULE PERFORMANCE

Based on 93 CRI, 3000K Module + STD White + Trim (M4TRSWH)

(Please refer to IES files for other trim types)

		STATIC CCT							WARM DIM	T2	
LED CHIP		Bridgelux 93 CRI (2400K), Cree 93 CRI (All other CCT)							Bridgelux 93 CRI		
SDCM		2-STEP							3-STEP		
PN DESIGNATION		07	10	12	15	20	25	30	35	10	10
WATTAGE		9.5W	12.5W	14.3W	14.3W	24.5W	27.5W	34.0W	40.5W	12.5W	12.5W
NS	Lumens	718	983	1111	1278	2163	N/A				
	LPW ¹	75.5	78.6	77.7	77.4	90.1					
	CBCP ²	6227	8530	9639	11089	18766					
	UGR ³	13	14.1	14.5	15	16.8					
SP	Lumens	696	953	1077	1239	2097	2603	3044	3709	848	1094
	LPW	73.2	76.2	75.3	75.1	87.4	94.7	89.5	91.6	67.9	75.4
	CBCP	2131	2919	3298	3795	6421	12861	15037	18327	2598	2479
	UGR	13.2	14.3	14.7	15.2	17	12.2	12.8	13.5	13.8	16.8
FL	Lumens	685	939	1061	1221	2066	2545	2976	3627	836	1079
	LPW	72.2	75.1	74.2	74	86.1	92.5	87.5	89.5	66.9	74.4
	CBCP	1196	1638	1851	2130	3604	9094	10634	12960	1458	1382
	UGR	14.9	16	16.4	16.9	18.8	12.6	13.1	13.8	15.6	17.7
WF	Lumens	677.5	928	1049	1206	2042	2453	2868	3495.5	826	1052
	LPW	71.3	74.2	73.3	73.1	85.1	89.2	84.4	86.3	66.1	72.6
	CBCP	696	953	1077	1239	2096	1926	2252	2745	848	1199
	UGR	17.3	18.4	18.8	19.3	21.1	22.4	23	23.7	18	18.1
GA	Lumens	654	896	1012	1165	1971	N/A			797	1134
	LPW	68.9	71.7	70.8	70.6	82.1				63.8	78.2
	CBCP	264	362	409	470	796				322	655
	UGR	22.1	23.2	23.6	24.1	25.9				22.8	22.2
		STATIC					WARM DIM		T2 TUNABLE WHITE		
CCT		2400K	2700K	3000K	3500K	4000K	1800K	3000K	2700K	3000K	6500K
MULTIPLIER		0.80	0.93	1	1.05	1.07	0.05	1	0.96	1	1.07
EMERGENCY BATTERY MULTIPLIER		LPW x 5									

¹ LPW: Lumens per watt

² CBCP: Center beam candlepower

³ UGR: Unified glare ratio (0.7/0.5/0.2, 4H/8H)

HOUSING



New Construction

M4NCRN

SUMMARY

JUNCTION BOX: Equipped with 6 knockouts: two 1/2" and two 3/4" trade size knockouts on top, two 1/2" trade size knockouts on side. Approved for 8 (four in, four out) #12 AWG 70°C.

BAR HANGER MOUNTING: Adjustable Bar Hangers for 8 (203mm)"-24" (610mm) joist spacing. Compatible with traditional joists, Armstrong™ ceiling, Hat Channel, T-Bar.

CEILING: 1/2" (13mm) up to 2 (51mm)"

CUTOUT: 4 1/4" (107mm) round opening

LISTINGS: Suitable for Use in Air-Handling Space – Complies with UL2043, ASTM E283 certified Air Tight in combination with Vandal or Coastal/IP66 Rated Trims

ALTERNATE DIMMING SPECIFICATIONS

INPUT VOLTAGE: 120/277V, 50/60Hz

MAX INPUT CURRENT (120V): 0.130 amps

MAX INPUT CURRENT (277V): 0.065 amps

POWER FACTOR: Greater than 0.9

TOTAL HARMONIC DISTORTION: Less than 20%

LISTINGS: Compliant to FCC Title 47 Part 15; Class B

EMERGENCY BATTERY SPECIFICATIONS

EMERGENCY BATTERY : Emergency Battery Back up is designed to provide output for 90 minutes when in an emergency state

INPUT VOLTAGE: 120/277V 50/60Hz

ILLUMINATION TIME: 90min

WATTAGE IN EM STATE: 5W

LUMEN OUTPUT IN EM STATE: LPW x 5

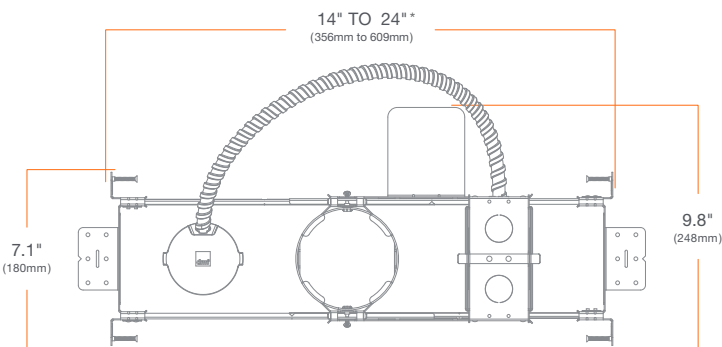
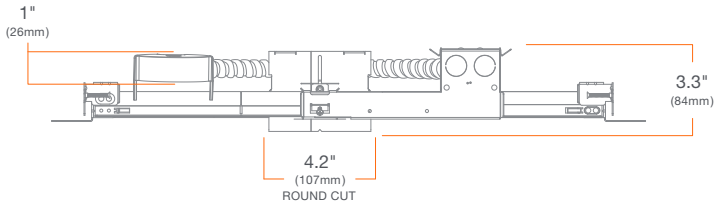
TEST SWITCH OPTIONS:

- **INTEGRATED TEST SWITCH (-EM HOUSING):** Requires Compatible trim - Flanged, Standard Style trim Only
- **REMOTE TEST SWITCH(-EMS HOUSING):** Must be installed according to local code can be used with any flanged, flangeless, or decorative trim type

New Construction

M4NCRN

(Dimensions not including module)

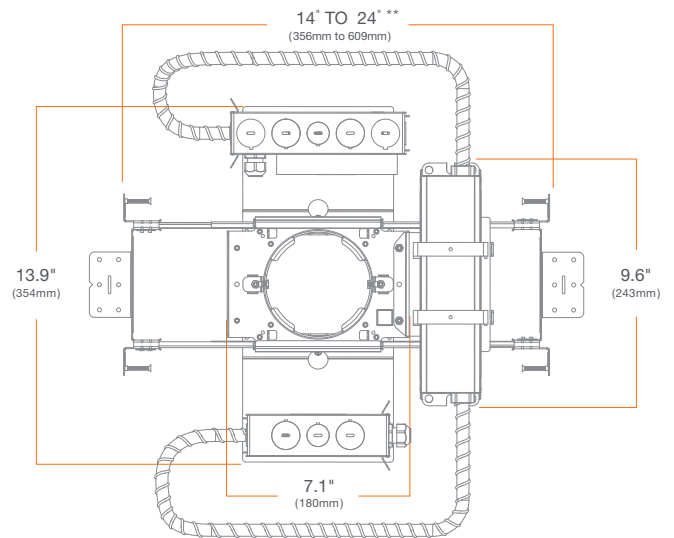
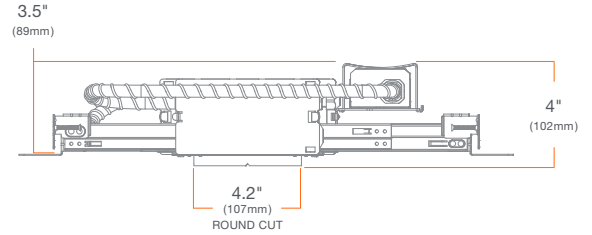


Emergency Lighting

M4NCRNxxxEM

M4NCRNxxxAWNEM

(Dimensions not including module)

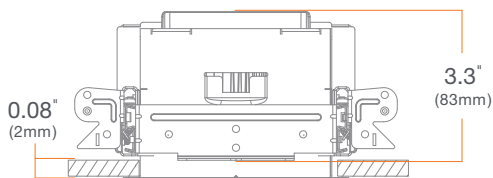


* Can be field cut to minimum 8" (203mm) for a range of 8" (203mm) - 24" (610mm)

** Can be field cut to minimum 11" (279mm) for a range of 11" (279mm) - 24" (610mm)

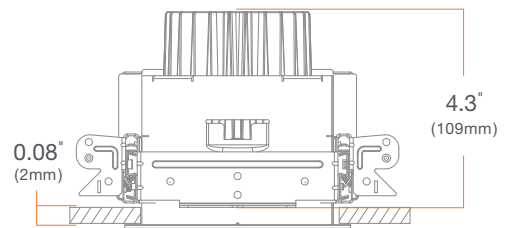
Total Height in Plenum

750LM-1500LM



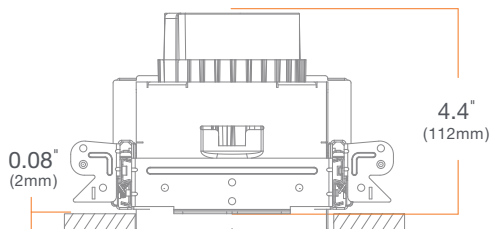
Bar Hanger Vertically Adjustable from 0.5" to 2" (13 to 51mm)

2500LM-3500LM/DALI-2



Bar Hanger Vertically Adjustable from 0.5" to 2" (13 to 51mm)

2000LM

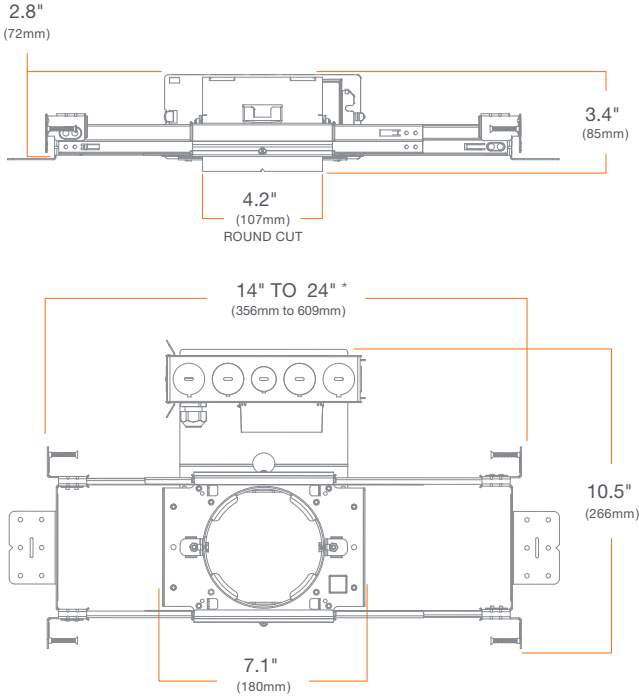


Bar Hanger Vertically Adjustable from 0.5" to 2" (13 to 51mm)

New Construction Static DALI/Lutron Athena Node

- M4NCRNxxDS
- M4NCRNxxOAWN
- M4NCRNxxDSAWN

(Dimensions not including module)

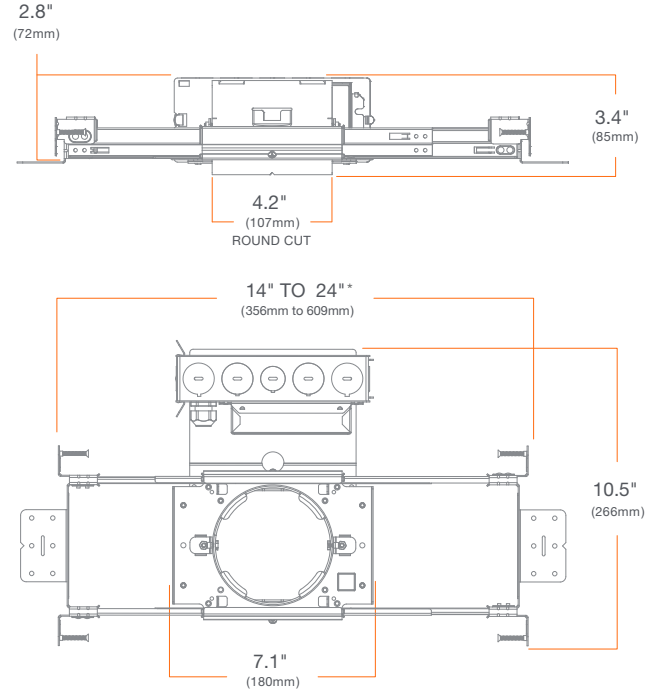


* Can be field cut to minimum 8" (203mm) for a range of 8" (203mm) - 24" (610mm)

New Construction Tunable White DALI-2

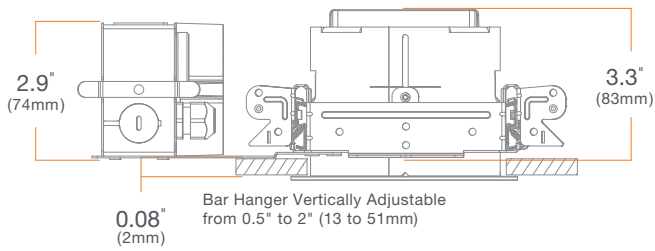
- M4NCRNxxDT

(Dimensions not including module)

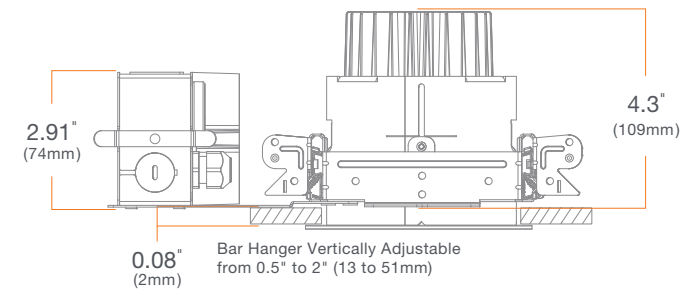


Total Height in Plenum

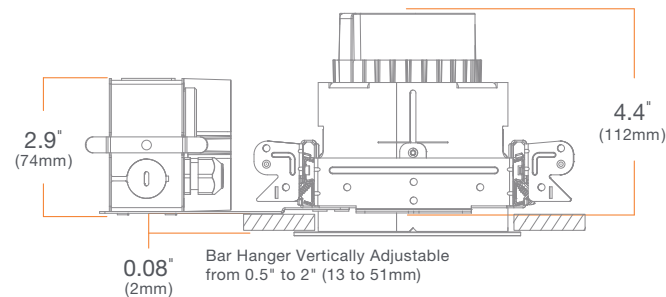
750LM-1500LM



2500LM-3500LM/DALI-2



2000LM



HOUSING



Remodel

M4RMRN

SUMMARY

JUNCTION BOX: Equipped with 3 knockouts: two 1/2" trade size and one 3/4" trade size knockouts #12 AWG 70°C. Approved for 4 (2 in and 2 out)

CEILING: 1/2" (13mm) up to 1 1/4" (32mm)

CUTOUT: 4 3/8" (111mm) round opening

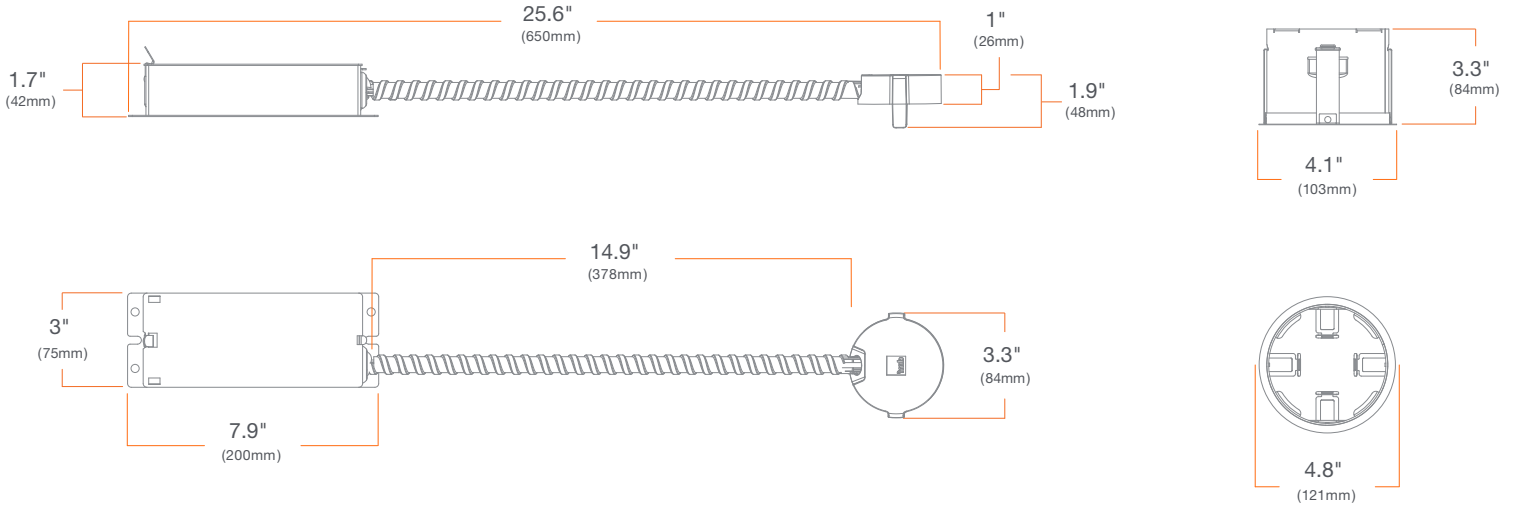
LISTINGS: Suitable for Use in Air-Handling Space – Complies with UL2043

TRIM COMPATIBILITY: For Use with Flanged Trims Only. Not Compatible with Vandal Proof, Coastal Marine Grade, or EM Trims

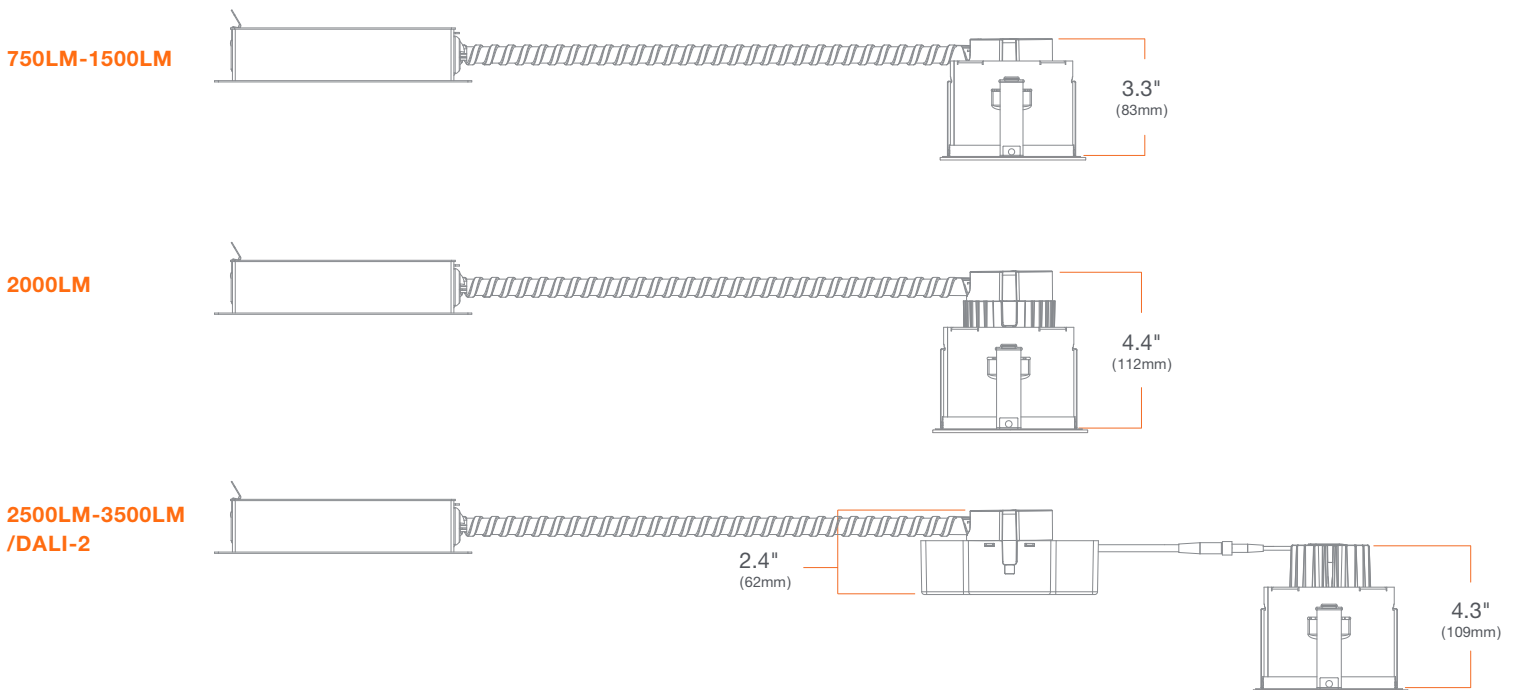
Standard

M4RMRN

(Dimensions not including module)



Total Height in Plenum



TRIMS



4" Round Trims

M4TR

SUMMARY

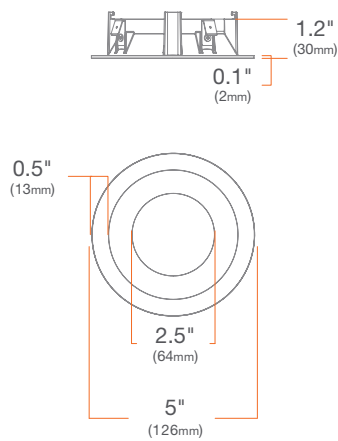
CONSTRUCTION: Die-cast aluminum

DECORATIVE: Acrylic diffuser

INSTALLATION: Twist & Lock

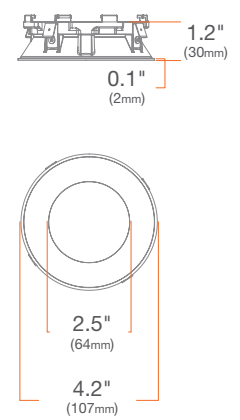
Standard

M4TRSWH



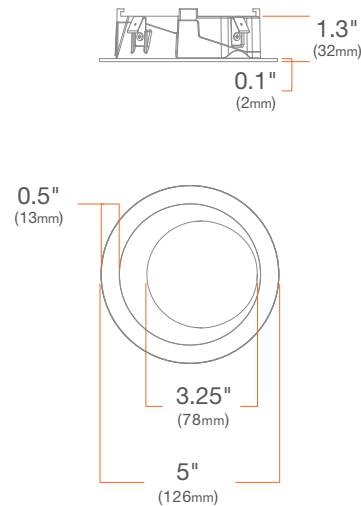
Standard Flangeless

M4TRSWHFL



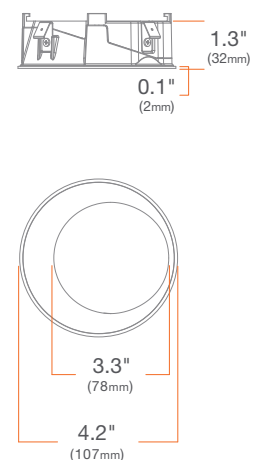
Wall Wash/Sloped Ceiling

M4TRLWH



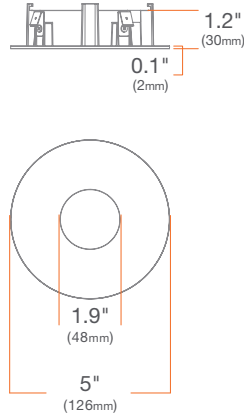
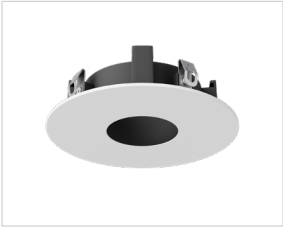
Wall Wash/Sloped Ceiling Flangeless

M4TRLWHFL



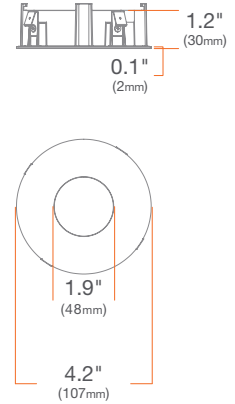
Pinhole

M4TRPWH



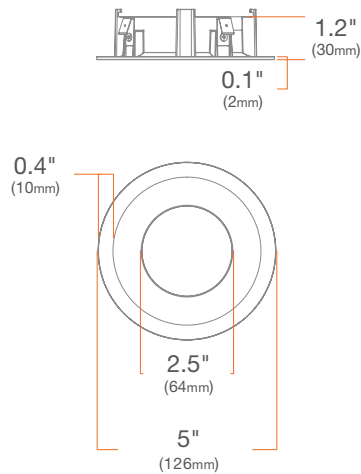
Pinhole Flangeless

M4TRPWHFL



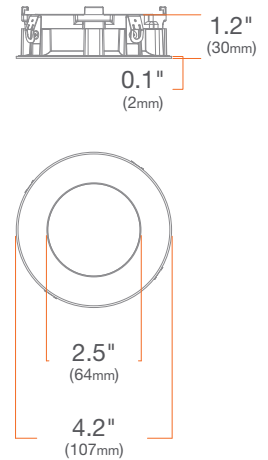
Hyperbolic

M4TRHWH



Hyperbolic Flangeless

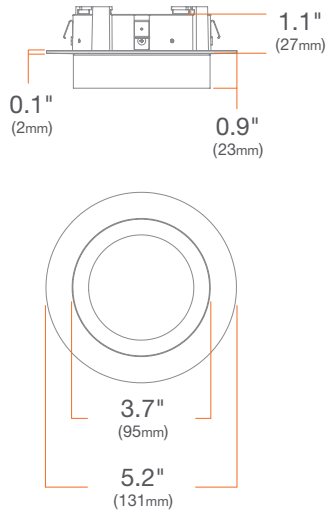
M4TRHWHFL



Decorative Closed * IK10 Rated

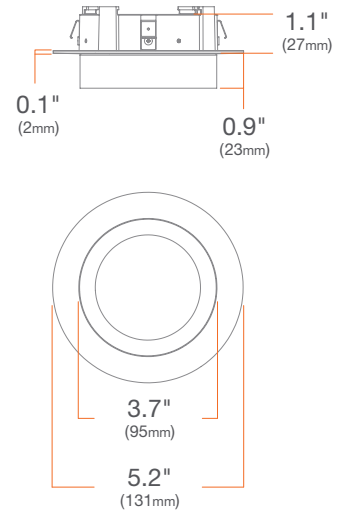
Clear, Frosted Inside: M4TRSWHDCC

Clear, Frosted Sides: M4TRSWHDCCF



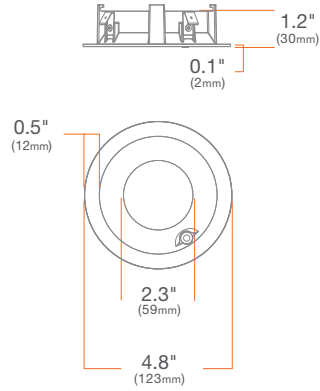
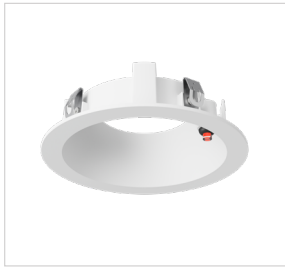
Decorative Open

Frosted: M4TRSWHDOF



Emergency with Integrated Test Switch

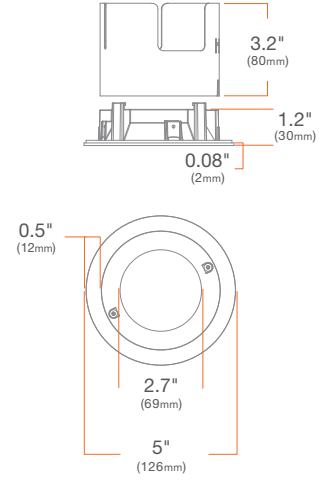
M4TRSWHEM



Vandal Proof/IP66 ¹

* IK10 Rated

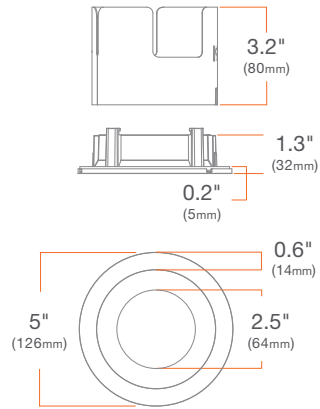
M4TRSWHVP



Coastal Marine Grade/IP66 ¹

* IK10 Rated

M4TRSWHIP

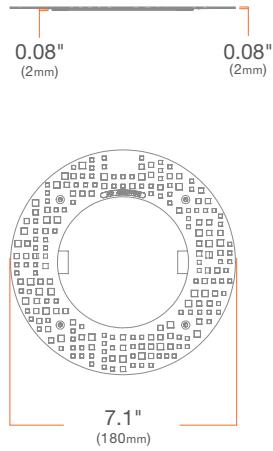


¹ For use with New Construction Housings Only

ACCESSORIES

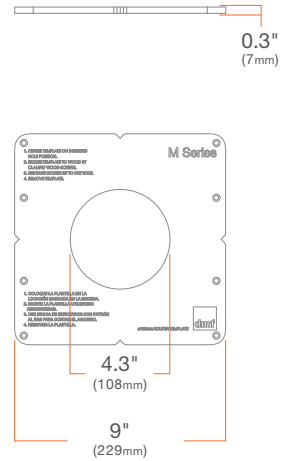
Flangeless Mud Plate

M4XRMUD



Router Template

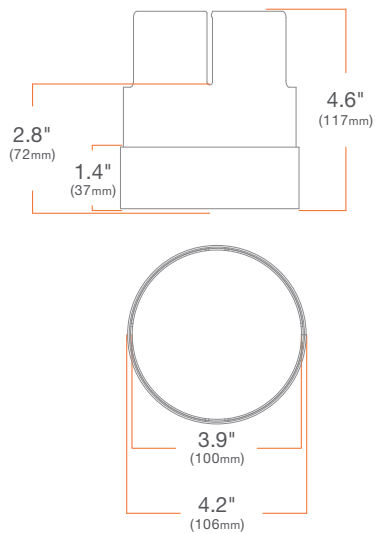
M4KRTEMPLATE



Extension Collar

**For use with Standard New Construction Only*

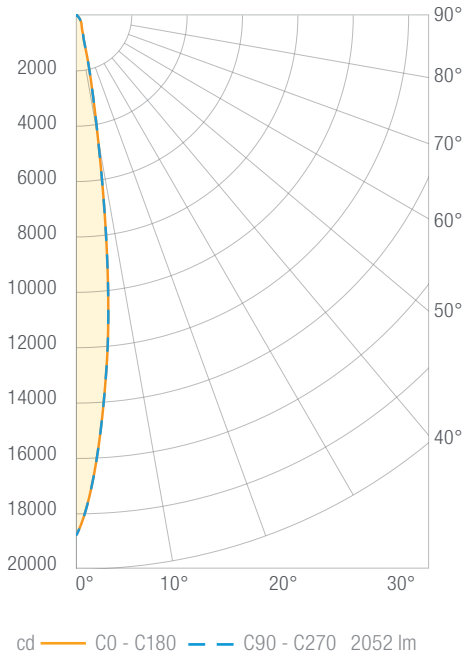
M4CREXT



PHOTOMETRY

MD 2000 lm, 3000K, Narrow Spot

MD20930NS | M4TRSWH



Luminous Intensity

Gamma	C 0°
0°	18766
5°	12609
10°	4461
15°	1402
20°	682
25°	466
30°	372
35°	304
40°	221
45°	162
50°	116
55°	81
60°	53
65°	30
70°	13
75°	8
80°	5
85°	2
90°	0

Values in candela

Zonal Lumen Summary

Zone	Lumens	Luminaire %
0-30	1625	79
0-40	1810	88
0-60	2010	98
0-90	2052	100
0-180	2052	100

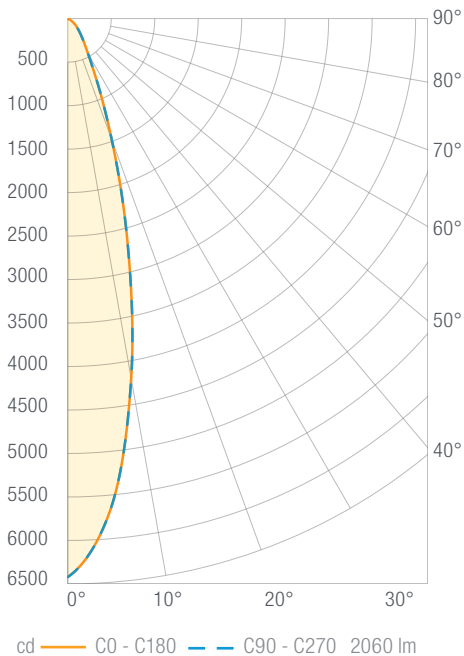
Illuminance Chart

Distance from LED	Foot Candles	Diameter
3'	2085.2	0.7'
6'	521.3	1.5'
9'	231.7	2.2'
12'	130.3	2.9'

Beam Angle: 14°

MD 2000 lm, 3000K, Spot

MD20930SP | M4TRSWH



Luminous Intensity

Gamma	C 0°
0°	6422
5°	5661
10°	4202
15°	2653
20°	1478
25°	799
30°	472
35°	319
40°	227
45°	166
50°	119
55°	82
60°	50
65°	29
70°	13
75°	8
80°	4
85°	2
90°	0

Values in candela

Zonal Lumen Summary

Zone	Lumens	Luminaire %
0-30	1612	78
0-40	1817	88
0-60	2020	98
0-90	2060	100
0-180	2060	100

Illuminance Chart

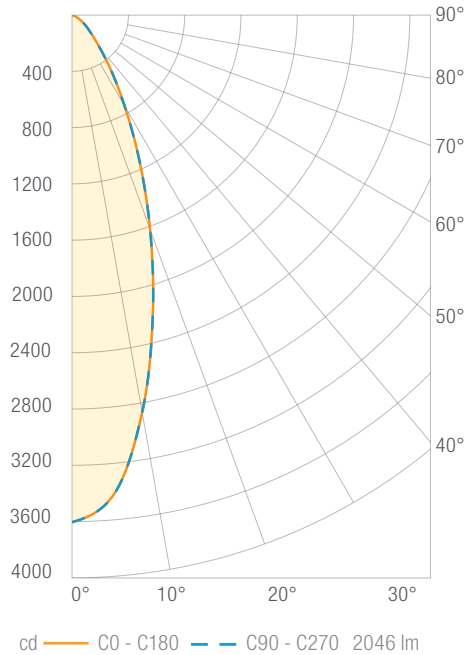
Distance from LED	Foot Candles	Diameter
3'	713.5	1.4'
6'	178.4	2.8'
9'	79.3	4.2'
12'	44.6	5.6'

Beam Angle: 26°

PHOTOMETRY

MD 2000 lm, 3000K, Flood

MD20930FL | M4TRSWH



Luminous Intensity

Gamma	C 0°
0°	3604
5°	3418
10°	2867
15°	2215
20°	1620
25°	1123
30°	746
35°	487
40°	309
45°	204
50°	141
55°	98
60°	57
65°	34
70°	15
75°	10
80°	6
85°	3
90°	0

Values in candela

Zonal Lumen Summary

Zone	Lumens	Luminaire %
0-30	1438	70
0-40	1748	85
0-60	1998	98
0-90	2046	100
0-180	2046	100

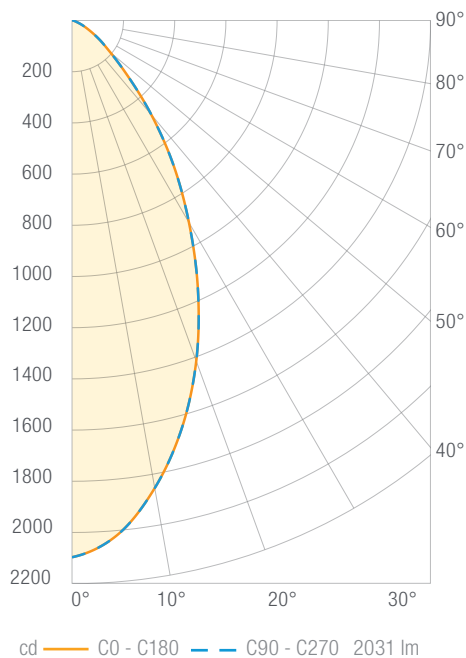
Illuminance Chart

Distance from LED	Foot Candles	Diameter
3'	400.5	2.0'
6'	100.1	4.0'
9'	44.5	6.0'
12'	25.0	8.0'

Beam Angle: 37°

MD 2000 lm, 3000K, Wide Flood

MD20930WF | M4TRSWH



Luminous Intensity

Gamma	C 0°
0°	2096
5°	2018
10°	1855
15°	1651
20°	1416
25°	1162
30°	912
35°	689
40°	480
45°	307
50°	195
55°	129
60°	78
65°	45
70°	22
75°	12
80°	7
85°	4
90°	1

Values in candela

Zonal Lumen Summary

Zone	Lumens	Luminaire %
0-30	1179	58
0-40	1605	79
0-60	1967	97
0-90	2031	100
0-180	2031	100

Illuminance Chart

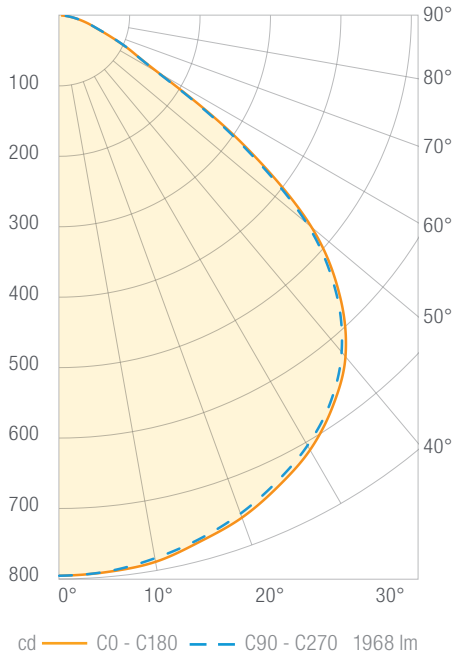
Distance from LED	Foot Candles	Diameter
3'	232.9	3.1'
6'	58.2	6.2'
9'	25.9	9.3'
12'	14.6	12.4'

Beam Angle: 55°

PHOTOMETRY

MD 2000 lm, 3000K, General Ambient

MD20930GA | M4TRSWH



Luminous Intensity

Gamma	C 0°
0°	796
5°	793
10°	788
15°	773
20°	759
25°	737
30°	712
35°	677
40°	632
45°	564
50°	468
55°	318
60°	163
65°	103
70°	62
75°	41
80°	24
85°	11
90°	3

Values in candela

Zonal Lumen Summary

Zone	Lumens	Luminaire %
0-30	640	32
0-40	1067	54
0-60	1798	91
0-90	1968	100
0-180	1968	100

Illuminance Chart

Distance from LED	Foot Candles	Diameter
3'	88.4	7.8'
6'	22.1	15.5'
9'	9.8	23.3'
12'	5.5	31.1'

Beam Angle: 105° x 104°