

M Series 4" Non-IC

Project:	Type:
Product Code:	Date:

V043026



Round Adjustable

Versatile Solution for all spaces providing high quality lighting ranging from 750lm all the way up to 3500lm

Expedite Install with our easily adjustable universal housing and bar hanger systems allowing for application in most ceiling types

Enhanced Serviceability features are achieved through our fully integrated driver solutions allow for ease of maintenance & implementation of design changes all below the ceiling plane

Seamless Integration with many control systems allowing two-channel control dimming options down as low as 0.1%

INSTALLATION

Ceiling Thickness

New Construction: 1/2" up to 2"

Remodel: 1/2" up to 1 1/4"

Ceiling Material

Drywall, Millwork, Acoustical Ceiling Tile

TRIMS

Aperture

4"

Shape

Round

Style

Standard, Flangeless, Pinhole, Hyperbolic

Finish

White, Black, Bronze, Clear Diffuse, Custom Color (RAL Colors)

SPECIALTY LENS

● Hexcell Louver

LIGHT OUTPUT & DISTRIBUTION

Module

Adjustable

Adjustment

360° rotation, 40° tilt

Lumens (Power)

750 lm (9.5W), 1000 lm (12.5W), 1250 lm (14.3W), 1500 lm (14.3W), 2000 lm (24.5W), 2500 lm (27.5W), 3000 lm (34.0W), 3500 lm (40.5W)

Color Quality

93 CRI, 2-step SDCM

Color Temperature

- 2400K ● 2700K ● 3000K
- 3500K ○ 4000K
- Warm Dim (3000K–1800K)
- Tunable White (6500–2700K)

Beam Spread

- ▲ 15° Narrow Spot
- ▲ 25° Spot
- ▲ 40° Flood

POWER & CONTROLS

Input Voltage

120/277V

Dimming

0-10V (1%), DALI-2 (0.1%), Lutron Athena Wireless Node (1%)

RATINGS & CERTIFICATIONS

Housing

- ✓ RoHS Compliant (Suitable for Use in Air-Handling Space, Complies with UL2043)

Module and Trim

- UL Listed for Damp Location (Under Covered Areas Only)

Warranty

5 year limited warranty; 50,000 hours

MAINTENANCE

LED chip integrated in module; driver externally connected via detachable touch-safe cable. Plug-and-play, tool-free serviceability and replacement from below ceiling.



Declare.





DMF LightSpeed
Our Quickest Shipping Selections are Highlighted for shipping in 2 days or less
All other items qty 100 or less ship in 5 days or less (custom color excluded)

M Series 4" Non-IC

Round Adjustable

PRODUCT BUILDER | ROUND | ADJUSTABLE | EMBEDDED 0-10V

HOUSING

EXAMPLE: **M4NCRN**

PRODUCT CODE	
M4NCRN	4" Round Housing, New Construction, Non-IC Rated
M4RMRN	4" Round Housing, Remodel, Non-IC Rated ¹

LIGHT MODULE

EXAMPLE: **MA07924NSO**

PRODUCT CODE		LUMENS		CRI		CCT		BEAM SPREAD		DIMMING	
MA				9						O	
MA	Adjustable Module	07	750 lm	9	93 CRI	24	2400K ²	NS	Narrow Spot (15°) ⁴	O	0-10V
		10	1000 lm			27	2700K	SP	Spot (25°)		
		12	1250 lm			30	3000K	FL	Flood (40°)		
		15	1500 lm			35	3500K	NH	Narrow Spot Hexcell Louver ⁴		
		20	2000 lm			40	4000K	SH	Spot Hexcell Louver ⁵		
		25	2500 lm			3W	Warm Dim (3000–1800K) ³	FH	Flood Hexcell Louver ⁵		
		30	3000 lm								
		35	3500 lm								

TRIM

EXAMPLE: **M4TRSWH**

PRODUCT CODE		FINISH		OPTION	
M4TRS	Standard	WH	White	[Blank]	None
M4TRP	Pinhole ^{6,7}	BK	Black	FL	Flangeless ⁹
M4TRH	Hyperbolic ⁵	BZ	Bronze ⁸		
		CW	Clear Diffuse, White Flange		
		CC	Custom Color (RAL Colors)		

ACCESSORIES

M4XRHUD	Flangeless Mud Plate ¹⁰
M4KRTEMPLATE	Flangeless Wood Template ¹¹

¹ Not available with Flangeless Trim options

² Only available 750 lm - 1000 lm

³ Only available in 1000 lm; Not Available in NS beam spread

⁴ Only available 750 lm - 2000 lm

⁵ Not available in 3500 lm

⁶ Only available in White, Black or Custom Color finish

⁷ Only available in 750lm - 1500lm

⁸ Only available in Standard style trim

⁹ Mud plate is required for all Flangeless trims except for wood ceiling applications; Not available in Clear Diffuse finish

¹⁰ Required for Flangeless Trim drywall installation

¹¹ Recommended for Flangeless Trim wood installation

LOOSE OPTIC ACCESSORIES

MALX-NS	Low Lumen (750LM-2000LM) Adjustable Optic NS 15 Degree Beam Spread
MALX-SP	Low Lumen (750LM-2000LM) Adjustable Optic SP 25 Degree Beam Spread
MALX-FL	Low Lumen (750LM-2000LM) Adjustable Optic FL 40 Degree Beam Spread
MALX-NH	Low Lumen (750LM-2000LM) Adjustable Optic NS 15 Degree Beam Spread with Hexcell Louver
MALX-SH	Low Lumen (750LM-2000LM) Adjustable Optic SP 25 Degree Beam Spread with Hexcell Louver
MALX-FH	Low Lumen (750LM-2000LM) Adjustable Optic FL 40 Degree Beam Spread with Hexcell Louver
MAHX-SP	High Lumen (2500LM-3500LM) Adjustable Optic SP 25 Degree Beam Spread
MAHX-FL	High Lumen (2500LM-3500LM) Adjustable Optic FL 40 Degree Beam Spread
MAHX-SH	High Lumen (2500LM-3500LM) Adjustable Optic SP 25 Degree Beam Spread with Hexcell Louver
MAHX-FH	High Lumen (2500LM-3500LM) Adjustable Optic FL 40 Degree Beam Spread with Hexcell Louver



DMF LightSpeed
Our Quickest Shipping Selections are Highlighted for shipping in 2 days or less
All other items qty 100 or less ship in 5 days or less (custom color excluded)

M Series 4" Non-IC

Round Adjustable

PRODUCT BUILDER | ROUND | ADJUSTABLE | ATHENA WIRELESS NODE/DALI-2

HOUSING

EXAMPLE: **M4NCRN07OAWN**

PRODUCT CODE		INSTALLATION		SHAPE		RATING		OUTPUT		DIMMING		WIRELESS	
M4		NC		R		N							
M4	4" Housing	NC	New Construction	R	Round	N	Non-IC	07	750 lm	O	0-10V	[Blank]	None (DALI-2 Only)
								10	1000 lm	DS	DALI-2 (Static CCT) ¹	AWN	Athena Wireless Node
								12	1250 lm	DT	DALI-2 (Tunable White) ^{2,3}		
								15	1500 lm				
								20	2000 lm				
								25	2500 lm				
								30	3000 lm				
								35	3500 lm				

LIGHT MODULE

EXAMPLE: **MA07924NSA**

PRODUCT CODE		LUMENS		CRI		CCT		BEAM SPREAD		DIMMING	
MA				9						A	
MA	Adjustable Module	07	750 lm	9	93 CRI	24	2400K ⁴	NS	Narrow Spot (15°) ⁷	A	Alternate
		10	1000 lm			27	2700K	SP	Spot (25°)		
		12	1250 lm			30	3000K	FL	Flood (40°)		
		15	1500 lm			35	3500K	NH	Narrow Spot Hexcell Louver ⁷		
		20	2000 lm			40	4000K	SH	Spot Hexcell Louver ¹		
		25	2500 lm			3W	Warm Dim (3000–1800K) ^{3,5}	FH	Flood Hexcell Louver ¹		
		30	3000 lm			T2	Tunable White (6500–2700K) ^{2,3,6}				
		35	3500 lm								

TRIM | STANDARD

EXAMPLE: **M4TRSWH**

PRODUCT CODE		FINISH		OPTION	
M4TRS	Standard Trim	WH	White	[Blank]	None
M4TRP	Pinhole Trim ^{3,8}	BK	Black	FL	Flangeless ¹⁰
M4TRH	Hyperbolic Trim ⁹	BZ	Bronze ⁹		
		CW	Clear Diffuse, White Flange		
		CC	Custom Color (RAL Colors)		

ACCESSORIES

M4XRMUD	Flangeless Mud Plate <i>(Required for Flangeless Trim drywall installation)</i>
M4KRTEMLATE	Flangeless Wood Template <i>(Recommended for Flangeless Trim wood installation)</i>

¹ Not available in 3500 lm

² Only available in 750 - 1500 lm

³ Not available in NS beam spread

⁴ Only available in 750 - 1000 lm

⁵ Only available in 1000 lm

⁶ Only available in DALI-2 Dimming

⁷ Only available in 750 - 2000 lm

⁸ Only available in White, Black or Custom Color finish

⁹ Only available in Standard trim style

¹⁰ Mud Plate required for FL Install except for wood ceiling; Not available in Clear Diffuse finish



DMF LightSpeed
Our Quickest Shipping Selections are Highlighted for shipping in 2 days or less
All other items qty 100 or less ship in 5 days or less (custom color excluded)

M Series 4" Non-IC

Round Adjustable

PRODUCT BUILDER | ROUND | ADJUSTABLE | EMERGENCY LIGHTING

HOUSING

EXAMPLE: **M4NCRN07OEMS**

PRODUCT CODE		INSTALLATION		SHAPE		RATING		LUMEN		DIMMING		WIRELESS		OPTION	
M4		NC		R		N								EMS	
M4	4" Housing	NC	New Construction	R	Round	N	Non-IC	07	750 lm	O	0-10V for EM only	[Blank]	None	EMS	Emergency driver, Remote switch
								10	1000 lm	DS	DALI-2 Static CCT ¹	AWN	Athena Wireless Node		
								12	1250 lm	DT	DALI-2 Tunable White CCT ^{2,3}				
								15	1500 lm						
								20	2000 lm						
								25	2500 lm						
								30	3000 lm						
								35	3500 lm						

LIGHT MODULE

EXAMPLE: **MA07924NSA**

PRODUCT CODE		LUMENS		CRI		CCT		BEAM SPREAD		DIMMING	
MA				9						A	
MA	Adjustable Module	07	750 lm	9	93 CRI	24	2400K ⁴	NS	Narrow Spot (15°) ⁸	A	Alternate
		10	1000 lm			27	2700K	SP	Spot (25°)		
		12	1250 lm			30	3000K	FL	Flood (40°)		
		15	1500 lm			35	3500K	NH	Narrow Spot Hexcell Louver ⁸		
		20	2000 lm			40	4000K	SH	Spot Hexcell Louver ¹		
		25	2500 lm			3W	Warm Dim (3000–1800K) ^{2,5}	FH	Flood Hexcell Louver ¹		
		30	3000 lm			T2	Tunable White (6500–2700K) ^{2,3,6}				
		35	3500 lm								

TRIM | STANDARD

EXAMPLE: **M4TRSWH**

PRODUCT CODE		FINISH		OPTION	
M4TRS	Standard Trim	WH	White	[Blank]	None
M4TRP	Pinhole Trim ^{3,7}	BK	Black	FL	Flangeless ¹⁰
M4TRH	Hyperbolic Trim ⁷	BZ	Bronze ⁹		
		CW	Clear Diffuse, White Flange		
		CC	Custom Color (RAL Colors)		

ACCESSORIES

M4XRMUD	Flangeless Mud Plate <i>(Required for Flangeless Trim drywall installation)</i>
M4KRTEMPLATE	Flangeless Wood Template <i>(Recommended for Flangeless Trim wood installation)</i>

¹ Not available in 3500 lm

² Not available in NS beam spread

³ Only available 750 - 1500 lm

⁴ Only available in 750 - 1000 lm

⁵ Only available in 1000 lm

⁶ Only available in DALI-2 Dimming

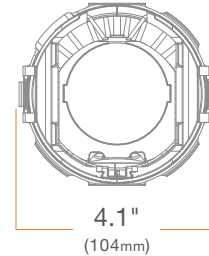
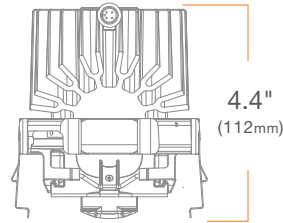
⁷ Only available in White, Black or Custom Color finish

⁸ Only available in 750 - 2000 lm

⁹ Only available in Standard trim style

¹⁰ Mud Plate required for FL Install except for wood ceiling; Not available in Clear Diffuse

MODULE



SUMMARY

	STATIC CCT	WARM DIM	TUNABLE WHITE
CCT	2400K, 2700K, 3000K, 3500K, 4000K	3000K - 1800K	6500K - 2700K
LUMENS (POWER)	750 lm (9.5W), 1000 lm (12.5W), 1250 lm (14.3W), 1500 lm (14.3W), 2000 lm (24.5W), 2500 lm (27.5W), 3000 lm (34.0W), 3500 lm (40.5W)	1000 lm (12.5W)	750 lm (9.5W), 1000 lm (12.5W), 1250 lm (14.3W), 1500 lm (14.3W)
EFFICACY	79 lm/W, 80 lm/W, 87 lm/W, 105 lm/W, 82 lm/W, 91 lm/W, 88 lm/W, 86 lm/W	80 lm/W	79 lm/W, 80 lm/W, 87 lm/W, 105 lm/W
COLOR QUALITY	93 CRI ¹ , 2-step SDCM	93 CRI ¹ , 2-step SDCM	93 CRI ¹ , 3-step SDCM
BEAM SPREAD	Narrow Spot (15°), Spot (25°), Flood (40°)	Spot (25°), Flood (40°)	Spot (25°), Flood (40°)
DIMMING	0-10V, DALI-2, Lutron Athena Wireless Node	0-10V, DALI-2, Lutron Athena Wireless Node	DALI-2, Lutron Athena Wireless Node
LED CHIP	Bridgelux (2400K), Cree (All other CCT)	Bridgelux	Bridgelux
LISTINGS	ENERGY STAR® qualified ² , UL Listed for Damp Location (Under covered ceilings only), UL Certified US•CA, Declare, RoHS Compliant, Shatter-Resistant Construction, NSF/ANSI 2 listed, suitable for splash zone ³ , DALI-2 Compliant, Compliant to FCC Title 47 Part 15; Class B		

¹ Tested in accordance to IESNA LM-79-2008

² Refer to ENERGY STAR Certified light fixtures database

³ White and Black Finish only

ADDITIONAL

INPUT VOLTAGE: 120/277V, 50/60Hz

MAX INPUT CURRENT (120V): 0.350 amps

MAX INPUT CURRENT (277V): 0.165 amps

AC CONNECTOR: 6 pin Molex

DC CONNECTOR: Male 4-Pin Low Voltage Connector

POWER FACTOR: Greater than 0.9

TOTAL HARMONIC DISTORTION: Less than 20%

AMBIENT OPERATING TEMPERATURE: -20°C to 40°C

WARRANTY: 5 year limited warranty; 50,000 hours at 70% lumen maintenance

MODULE PERFORMANCE

Based on 93 CRI, 3000K Module + STD White + Trim (M4TRSWH)

(Please refer to IES files for other trim types)

		STATIC CCT							WARM DIM	T2	
LED CHIP		Bridgelux 93 CRI (2400K), Cree 93 CRI (All other CCT)							Bridgelux 93 CRI		
SDCM		2-STEP							3-STEP		
PN DESIGNATION		07	10	12	15	20	25	30	35	10	10
WATTAGE		9.5W	12.5W	14.3W	14.3W	24.5W	27.5W	34.0W	40.5W	12.5W	12.5W
NS	Lumens	794	1083	1227	1408	1949	N/A				
	LPW ¹	83.6	86.6	85.8	85.3	79.6					
	CBCP ²	4789	6530	7401	8489	11754					
	UGR ³	8.9	10	10.4	10.9	12					
SP	Lumens	760	1036	1174	1347	1864	2257	2778	3299	922	1139
	LPW	80	82.9	82.1	81.6	76.1	82.1	81.7	81.4	73.7	78.6
	CBCP	2313	3154	3575	4100	5678	5805	7145	8485	2807	3470
	UGR	11.3	12.4	12.8	13.3	14.4	14.9	15.6	16.2	12	12.7
FL	Lumens	646	881	999	1146	1586	2289	2817	3345	784	970
	LPW	68	70.5	69.9	69.4	64.8	83.2	82.9	82.6	62.8	66.9
	CBCP	1039	1417	1606	1842	2551	3908	4810	5712	1261	1559
	UGR	6.8	7.9	8.3	8.8	9.9	12.7	13.4	14	7.5	8.2

CCT MULTIPLIER	STATIC					WARM DIM		T2 TUNABLE WHITE		
	2400K	2700K	3000K	3500K	4000K	1800K	3000K	2700K	3000K	6500K
	0.80	0.93	1	1.05	1.07	0.05	1	0.96	1	1.07

HEXCELL LOUVER MULTIPLIER	0.6
EMERGENCY BATTERY MULTIPLIER	LPW x 5

¹ LPW: Lumens per watt

² CBCP: Center beam candlepower

³ UGR: Unified glare ratio (0.7/0.5/0.2, 4H/8H)

HOUSING



New Construction

M4NCRN

SUMMARY

JUNCTION BOX: Equipped with 6 knockouts: two 1/2" and two 3/4" trade size knockouts on top, two 1/2" trade size knockouts on side. Approved for 8 (four in, four out) #12 AWG 70°C.

BAR HANGER MOUNTING: Adjustable Bar Hangers for 8" (203mm) - 24" (610mm) joist spacing. Compatible with traditional joists, Armstrong™ ceiling, Hat Channel, T-Bar.

CEILING: 1/2" (13mm) up to 2" (51mm)

CUTOUT: 4 1/4" (107mm) round opening

LISTINGS: Suitable for Use in Air-Handling Space – Complies with UL2043

ALTERNATE DIMMING SPECIFICATIONS

INPUT VOLTAGE: 120/277V, 50/60Hz

MAX INPUT CURRENT (120V): 0.130 amps

MAX INPUT CURRENT (277V): 0.065 amps

POWER FACTOR: Greater than 0.9

TOTAL HARMONIC DISTORTION: Less than 20%

LISTINGS: Compliant to FCC Title 47 Part 15; Class B

EMERGENCY BATTERY SPECIFICATIONS

EMERGENCY BATTERY : Emergency Battery Back up is designed to provide output for 90 minutes when in an emergency state

INPUT VOLTAGE: 120/277V 50/60Hz

ILLUMINATION TIME: 90min

WATTAGE IN EM STATE: 5W

LUMEN OUTPUT IN EM STATE: LPW x 5

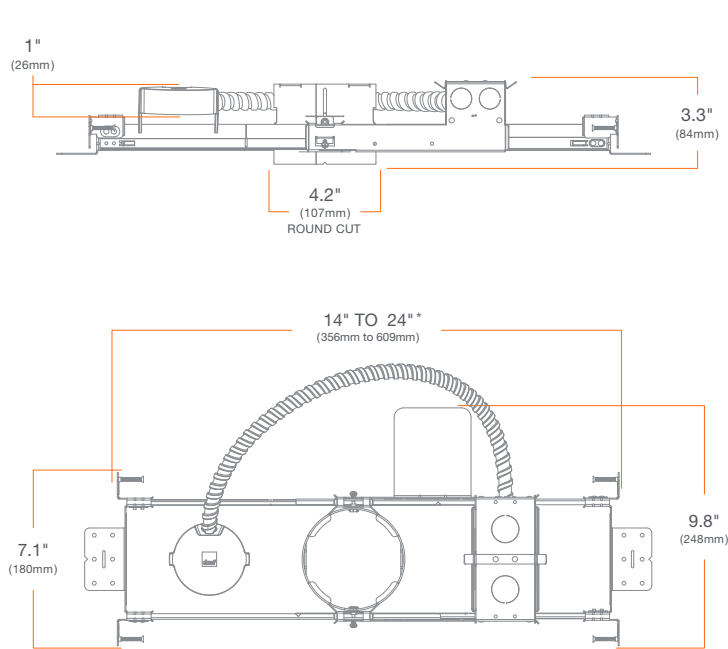
TEST SWITCH OPTIONS:

- **REMOTE TEST SWITCH(-EMS HOUSING):** Must be installed according to local code can be used with any flanged or flangeless trim

New Construction

M4NCRN

(Dimensions not including module)



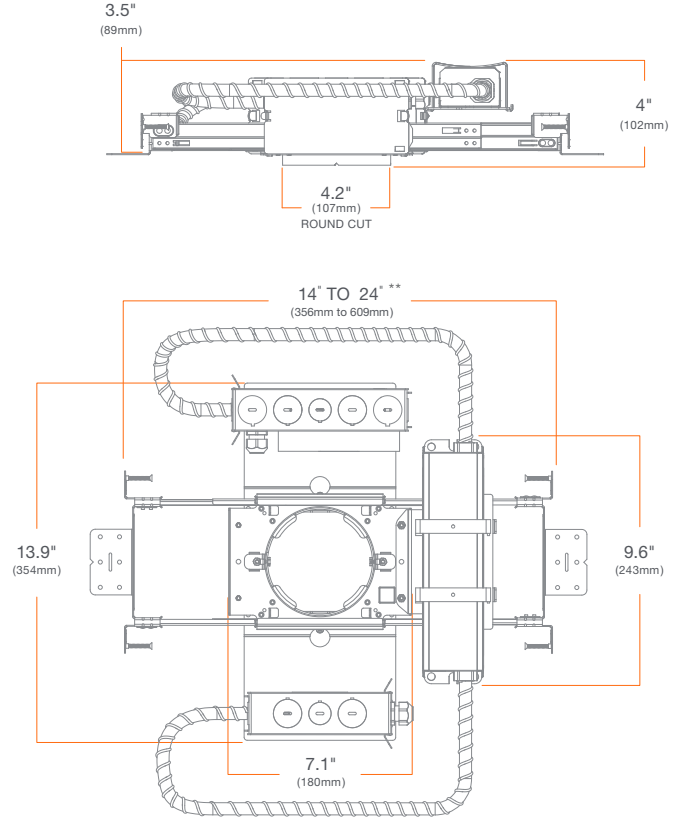
* Can be field cut to minimum 8" (191mm) for a range of 8" (203mm) - 24" (610mm)

Emergency Lighting

M4NCRNxxxEMS

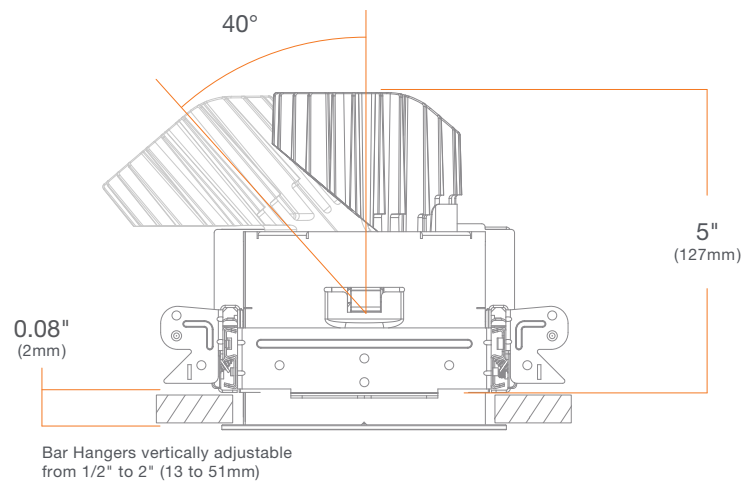
M4NCRNxxxAWNEMS

(Dimensions not including module)



** Can be field cut to minimum 11" (279mm) for a range of 11" (279mm) - 24" (610mm)

Total Height in Plenum



New Construction Static DALI/Lutron Athena Node

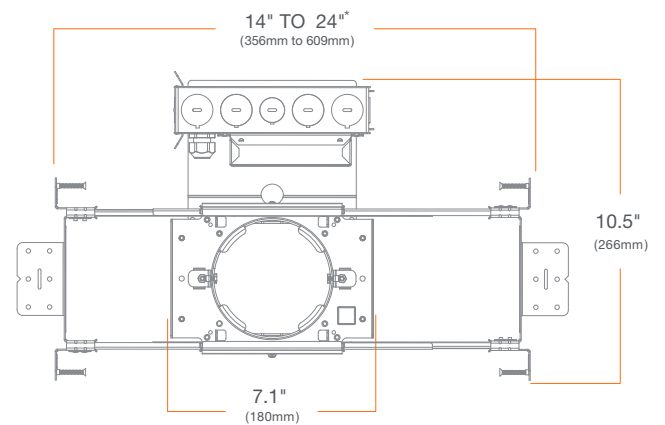
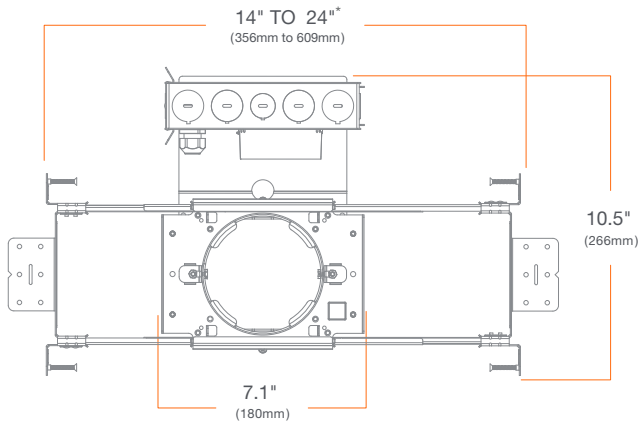
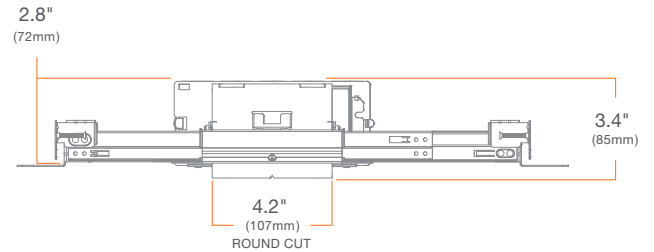
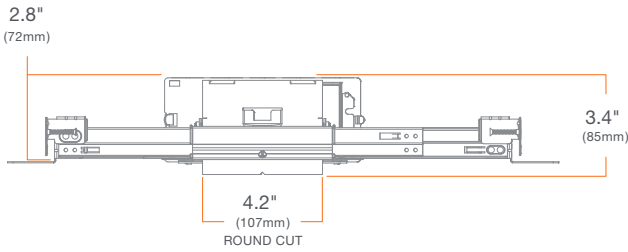
M4NCRNxxDS
M4NCRNxxOAWN
M4NCRNxxDSAWN

(Dimensions not including module)

New Construction Tunable White DALI-2

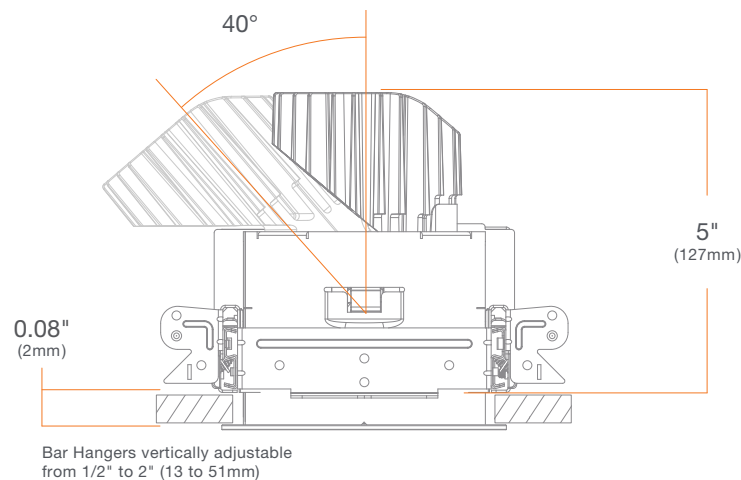
M4NCRNxxDT

(Dimensions not including module)



* Can be field cut to minimum 8" (203mm) for a range of 8" (203mm) - 24" (610mm)

Total Height in Plenum



HOUSING



Remodel

M4RMRN

SUMMARY

JUNCTION BOX: Equipped with 3 knockouts: two 1/2" trade size and one 3/4" trade size knockouts #12 AWG 70°C. Approved for 4 (2 in and 2 out)

CEILING: 1/2" (13mm) up to 1 1/4" (32mm)

CUTOUT: 4 3/8" (111mm) round opening

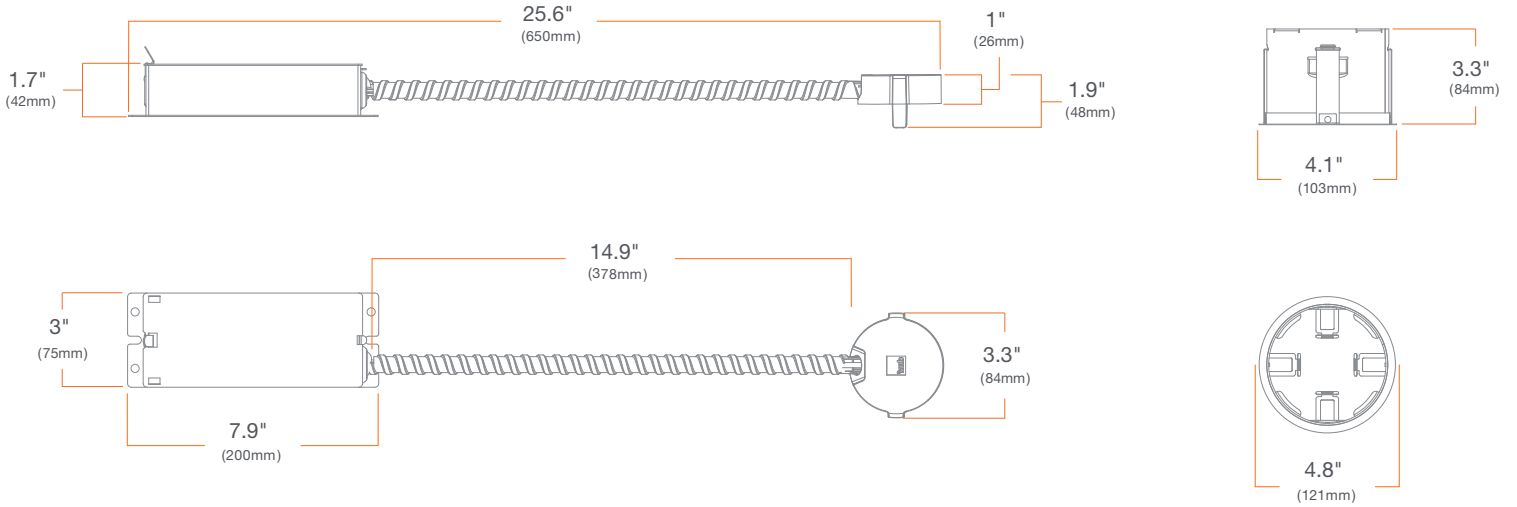
LISTINGS: Suitable for Use in Air-Handling Space – Complies with UL2043

TRIM COMPATIBILITY: Flanged Only

Standard

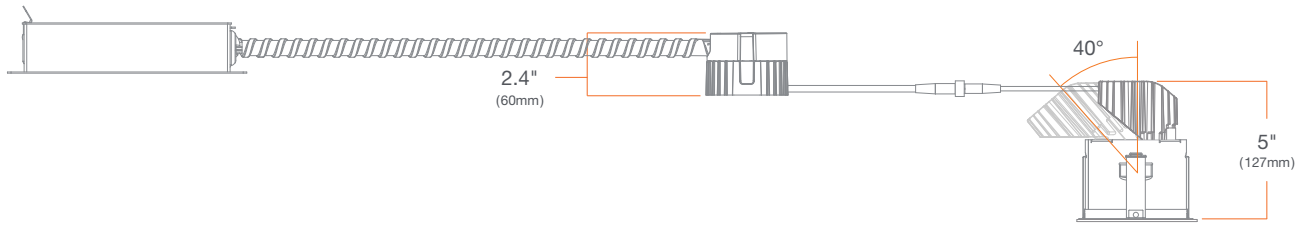
M4RMRN

(Dimensions not including module)

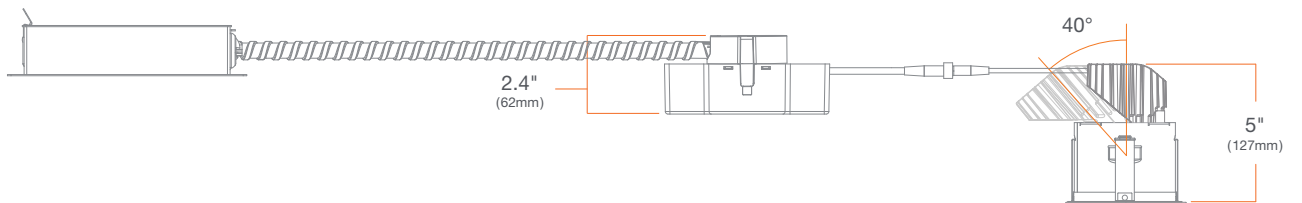


Total Height in Plenum

Low Lumen



High Lumen



TRIMS



4" Round Trims

M4TR

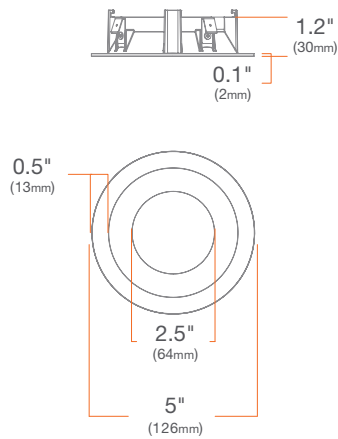
SUMMARY

CONSTRUCTION: Die-cast aluminum

INSTALLATION: Twist & Lock

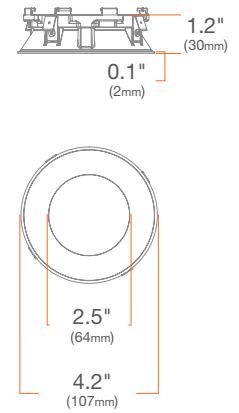
Standard

M4TRSWH



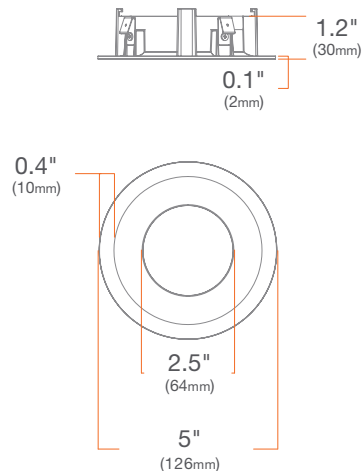
Standard Flangeless

M4TRSWHFL



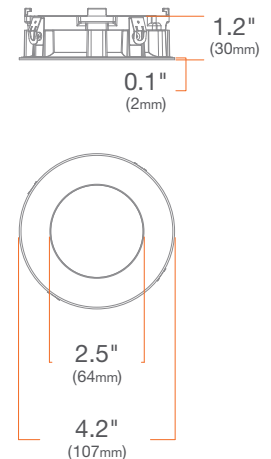
Hyperbolic

M4TRHWH



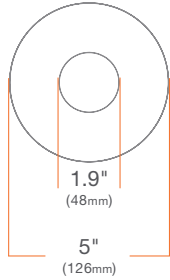
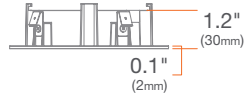
Hyperbolic Flangeless

M4TRHWHFL



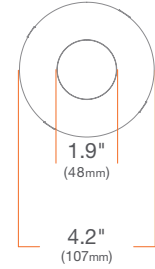
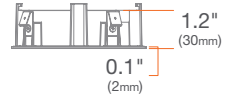
Pinhole

M4TRPWH



Pinhole Flangeless

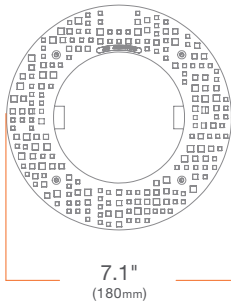
M4TRPWHFL



ACCESSORIES

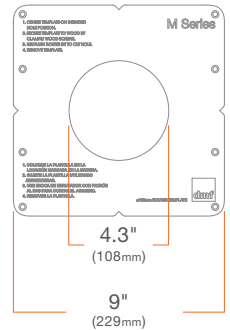
Flangeless Mud Plate

M4XRMUD



Router Template

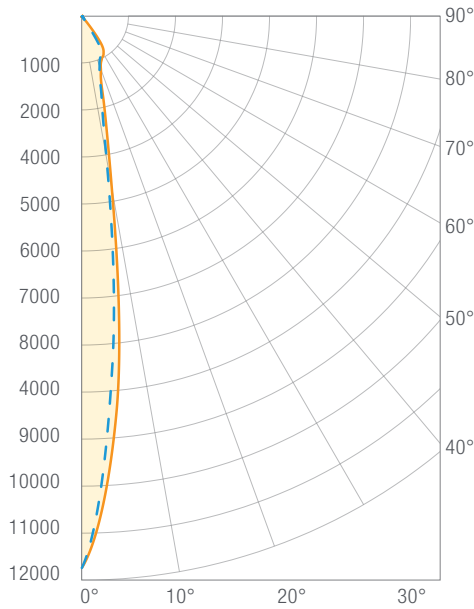
M4KRTEMPLATE



PHOTOMETRY

MA 2000 lm, 3000K, Narrow Spot

MA20930NS | M4TRSWH



cd — C0 - C180 — C90 - C270 1881 lm

Luminous Intensity

Gamma	C 0°
0°	11754
5°	8471
10°	3642
15°	1723
20°	1183
25°	1006
30°	925
35°	722
40°	94
45°	42
50°	24
55°	19
60°	15
65°	13
70°	10
75°	6
80°	4
85°	2
90°	0

Values in candela

Zonal Lumen Summary

Zone	Lumens	Luminaire %
0-30	1544	82
0-40	1811	96
0-60	1861	99
0-90	1881	100
0-180	1881	100

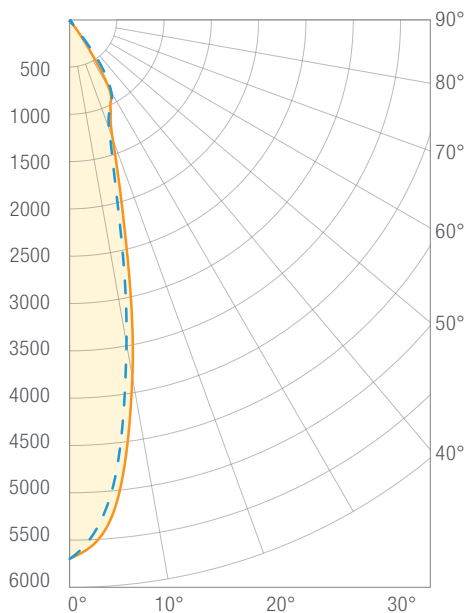
Illuminance Chart

Distance from LED	Foot Candles	Diameter
3'	1306.0	0.8'
6'	326.5	1.6'
9'	145.1	2.4'
12'	81.6	3.2'

Beam Angle: 15° x 14°

MA 2000 lm, 3000K, Spot

MA20930SP | M4TRSWH



cd — C0 - C180 — C90 - C270 1832 lm

Luminous Intensity

Gamma	C 0°
0°	5678
5°	5225
10°	3811
15°	2213
20°	1327
25°	1020
30°	839
35°	291
40°	61
45°	38
50°	20
55°	11
60°	10
65°	8
70°	5
75°	3
80°	2
85°	0
90°	0

Values in candela

Zonal Lumen Summary

Zone	Lumens	Luminaire %
0-30	1515	83
0-40	1777	97
0-60	1820	99
0-90	1832	100
0-180	1832	100

Illuminance Chart

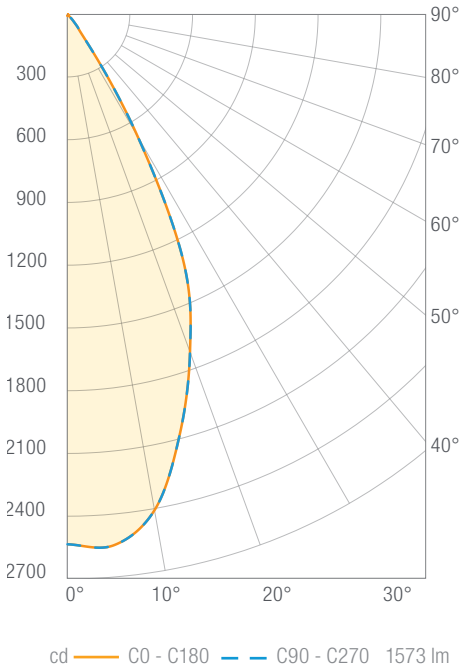
Distance from LED	Foot Candles	Diameter
3'	630.8	1.4'
6'	157.7	2.8'
9'	70.1	4.2'
12'	39.4	5.6'

Beam Angle: 26° x 24°

PHOTOMETRY

MA 2000 lm, 3000K, Flood

MA20930FL | M4TRSWH



Luminous Intensity

Gamma	C 0°
0°	2537
5°	2551
10°	2408
15°	2079
20°	1716
25°	1325
30°	669
35°	174
40°	69
45°	29
50°	9
55°	4
60°	4
65°	2
70°	1
75°	1
80°	0
85°	0
90°	0

Values in candela

Zonal Lumen Summary

Zone	Lumens	Luminaire %
0-30	1381	88
0-40	1540	98
0-60	1570	100
0-90	1573	100
0-180	1573	100

Illuminance Chart

Distance from LED	Foot Candles	Diameter
3'	281.8	2.8'
6'	70.5	5.7'
9'	31.3	8.5'
12'	17.6	11.4'

Beam Angle: 51°