

DCD4

Higher-Lumen Adjustable Downlight

New Construction, Remodel
4" Aperture, 0-10V

Project:	Type:
Product Code:	Date:

V101522



Flexibility Radically simplifies configuration in the field

Modularity Wide range of interoperable lighting options including lumen, color temperature, and beam angle

Aimable 360° rotation and 40° tilt for precise, aimable lighting

Ease Connect the power and driver with a simple snap, no tools required

OPTICAL

Adjustment

360° directional aim, 40° tilt

Delivered Lumens (Power)

1500 lm (21W), 2000 lm (27W), 2500 lm (37W)

Color Quality

90+ CRI, 2-step SDCM

Color Temperature

2700K 3000K

3500K 4000K

Beam Spread

Narrow Spot (15°) Spot (25°)

Flood (40°) Wide Flood (60°)

Specialty Lens

Linear Spread

PHYSICAL

Application

New Construction, Remodel

Aperture

4" Commercial

Ceiling Thickness

½" up to 1¼"

TRIMS

Style

Round Beveled, Pinhole

Finish

White, Black, Clear Diffuse, Warm Diffuse, Black w/ White Flange, Clear Diffuse w/ White Flange, Warm Diffuse w/ White Flange, Custom

ELECTRICAL & CONTROLS

Input Voltage

120/277V

1% Dimming

0-10V 1%

Wireless

Athena Wireless Node

RATINGS

Module

UL Listed for Damp Location



PRODUCT BUILDER - 0-10V
HOUSING

PRODUCT CODE		APPLICATION		SHAPE		APERTURE	
DCDH	DCD Housing	N	New Construction	R	Round	4	4" Aperture
		R	Remodel				

MODULE

PRODUCT CODE		LUMENS		CRI		CCT		BEAM SPREAD	
DCD4M	Adjustable Module	15	1500 lm	9	90+ CRI	27	2700K	NS	Narrow Spot (15°)
		20	2000 lm			30	3000K	SP	Spot (25°)
		25	2500 lm			35	3500K	FL	Flood (40°)
						40	4000K	WF	Wide Flood (60°)
								LS	Linear Spread

TRIM

PRODUCT CODE		SHAPE		APERTURE		STYLE		FINISH		OPTION	
DCD4T	DCD4 Trim	R	Round	4	4" Aperture	S	Beveled	WH	White	[Blank]	None
						P	Pinhole ^{1,2}	BK	Black	FL	Flangeless ^{1,3}
								CD	Clear Diffuse		
								WD	Warm Diffuse		
								BW	Black w/ White Flange		
								CW	Clear Diffuse w/ White Flange		
								WW	Warm Diffuse w/ White Flange		
								CC	Custom Color		

DCDHX-MUD-FL	Flangeless Mud Plate <i>(Required with Flangeless Trim)</i>
---------------------	---

¹ Only available in White or Custom Color finish

² Only available in 1500 lm or 2000 lm

³ Requires DCDHX-MUD-FL Mud Plate

ADDITIONAL ACCESSORIES

DCD4X-NS	Narrow Spot Lens	DCD4X-FL	Flood Lens
DCD4X-SP	Spot Lens	DCD4X-WF	Wide Flood Lens

PRODUCT BUILDER - Athena Wireless Node
HOUSING

PRODUCT CODE		APPLICATION		SHAPE		APERTURE		CONTROLS	
DCDH	DCD Housing	N	New Construction	R	Round	4	4" Aperture	AWN	Athena Wireless Node ¹
		R	Remodel						

MODULE

PRODUCT CODE		LUMENS		CRI		CCT		BEAM SPREAD	
DCD4M	Adjustable Module	15	1500 lm	9	90+ CRI	27	2700K	NS	Narrow Spot (15°)
		20	2000 lm			30	3000K	SP	Spot (25°)
		25	2500 lm			35	3500K	FL	Flood (40°)
						40	4000K	WF	Wide Flood (60°)
								LS	Linear Spread

TRIM

PRODUCT CODE		SHAPE		APERTURE		STYLE		FINISH		OPTION	
DCD4T	DCD4 Trim	R	Round	4	4" Aperture	S	Beveled	WH	White	[Blank]	None
						P	Pinhole ^{2,3}	BK	Black	FL	Flangeless ^{2,4}
								CD	Clear Diffuse		
								WD	Warm Diffuse		
								BW	Black w/ White Flange		
								CW	Clear Diffuse w/ White Flange		
								WW	Warm Diffuse w/ White Flange		
								CC	Custom Color		

DCDHX-MUD-FL	Flangeless Mud Plate (Required with Flangeless Trim)
---------------------	--

¹ Athena Wireless Node mounts directly to the jbox

² Only available in White or Custom Color finish

³ Only available in 1500 lm or 2000 lm

⁴ Requires DCDHX-MUD-FL Mud Plate

ADDITIONAL ACCESSORIES

DCD4X-NS	Narrow Spot Lens	DCD4X-FL	Flood Lens
DCD4X-SP	Spot Lens	DCD4X-WF	Wide Flood Lens

PRODUCT BUILDER - EcoSystem Dimming or Emergency Lighting
HOUSING

PRODUCT CODE		APPLICATION		SHAPE		APERTURE		LUMENS		DRIVER		OPTION		INPUT	
DCDH	DCD Housing	N	New Construction	R	Round	4	4" Aperture	15	1500 lm	O	0-10V ¹	[Blank]	None	[Blank]	120V
		R	Remodel					20	2000 lm	C	Lutron LDE1 ²	EMS	EM ³ , Remote Test Switch	2	277V
								25	2500 lm						

MODULE

PRODUCT CODE		LUMENS		CRI		CCT		BEAM SPREAD		DRIVER	
DCD4M	Adjustable Module	15	1500 lm	9	90+ CRI	27	2700K	NS	Narrow Spot (15°)	A	Alternate
		20	2000 lm			30	3000K	SP	Spot (25°)		
		25	2500 lm			35	3500K	FL	Flood (40°)		
						40	4000K	WF	Wide Flood (60°)		
								LS	Linear Spread		

TRIM

PRODUCT CODE		SHAPE		APERTURE		STYLE		FINISH		OPTION	
DCD4T	DCD4 Trim	R	Round	4	4" Aperture	S	Beveled	WH	White	[Blank]	None
						P	Pinhole ^{4,5}	BK	Black	FL	Flangeless ^{4,6}
								CD	Clear Diffuse		
								WD	Warm Diffuse		
								BW	Black w/ White Flange		
								CW	Clear Diffuse w/ White Flange		
								WW	Warm Diffuse w/ White Flange		
								CC	Custom Color		

DCDHX-MUD-FL	Flangeless Mud Plate (Required with Flangeless Trim)
---------------------	--

¹ Only available in Emergency option

² Lutron LDE1 refers to Lutron Hi-lume 1% EcoSystem LED driver with Soft-on, Fade-to-Black™

³ Only available for New Construction application

⁴ Only available in White or Custom Color finish

⁵ Only available in 1500 lm or 2000 lm

⁶ Requires DCDHX-MUD-FL Mud Plate

ADDITIONAL ACCESSORIES

DCD4X-NS	Narrow Spot Lens	DCD4X-FL	Flood Lens
DCD4X-SP	Spot Lens	DCD4X-WF	Wide Flood Lens

MODULE


DCD4

Higher-Lumen Adjustable Downlight

DCD4M

SUMMARY

LED CHIP: Cree

DELIVERED LUMENS: 1500 lm (21W), 2000 lm (37W), 2500 lm (40W)

EFFICACY: 70 lm/W, 60 lm/W, 67 lm/W

COLOR QUALITY: 90+ CRI, 2-step SDCM

CCT: 2700K, 3000K, 3500K, 4000K

BEAM SPREAD: Narrow Spot (15°), Spot (25°), Flood (40°), Wide Flood (60°)

CONNECTOR: Proprietary 6-pin, Molex AC connector

INPUT VOLTAGE: 120/277V, 50/60Hz

DIMMING: Down to less than 1% 0-10V or Lutron EcoSystem

MAX INPUT CURRENT (120V): 0.35 amps

MAX INPUT CURRENT (277V): 0.15 amps

POWER FACTOR: Greater than 0.9

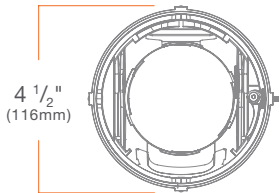
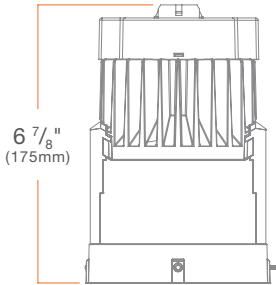
TOTAL HARMONIC DISTORTION: Less than 20%

AMBIENT OPERATING TEMPERATURE: -20°C to 40°C

PHOTOMETRIC TESTING: Tested in accordance to IESNA LM-79-2008

LISTINGS: ENERGY STAR® qualified *, California Title 24 2019 JA8 compliant, UL Listed for Damp Location, UL Certified US-CA, Declare

LIFETIME: 50,000 hours at 70% lumen maintenance

WARRANTY: 5 year limited warranty


*Refer to ENERGY STAR Certified light fixtures database

HOUSING



DCD Frame

New Construction, Remodel

DCDH

SUMMARY

JUNCTION BOX: Galvanized steel. Equipped with (4) 1/2" and (2) 3/4" knockouts with pryout slots to allow straight conduit runs. Approved for 8 (four-in, four-out) #12 AWG 70 through wire conductors.

MOUNTING: Pre-installed mounting brackets allow vertical adjustment of bar hangers up to 1" (New Construction). 4 tempered steel clamps secure housing to existing ceiling (Remodel).

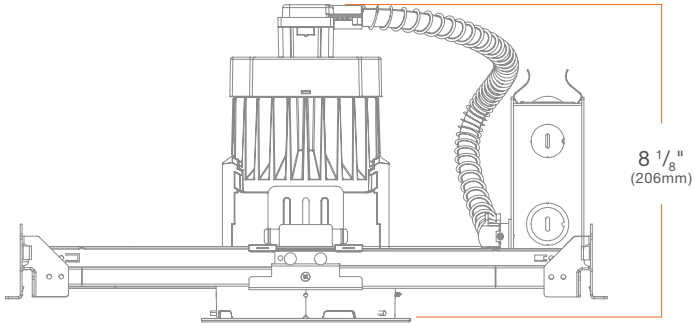
CEILING: 1/2" up to 1 1/4"

CUTOUT: 4 3/4" (121mm) (New Construction), 5" (127mm) (Remodel) circular opening.

WARRANTY: 5 year limited warranty

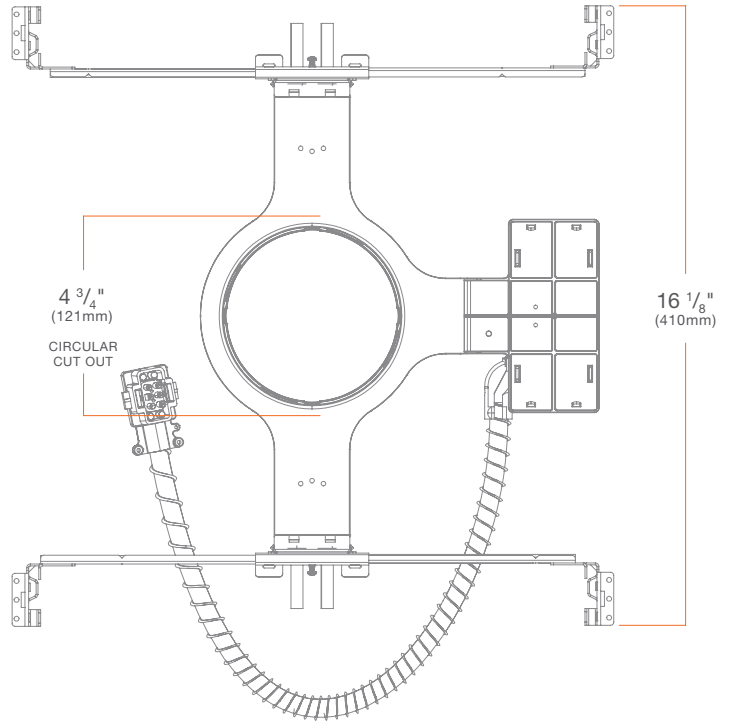
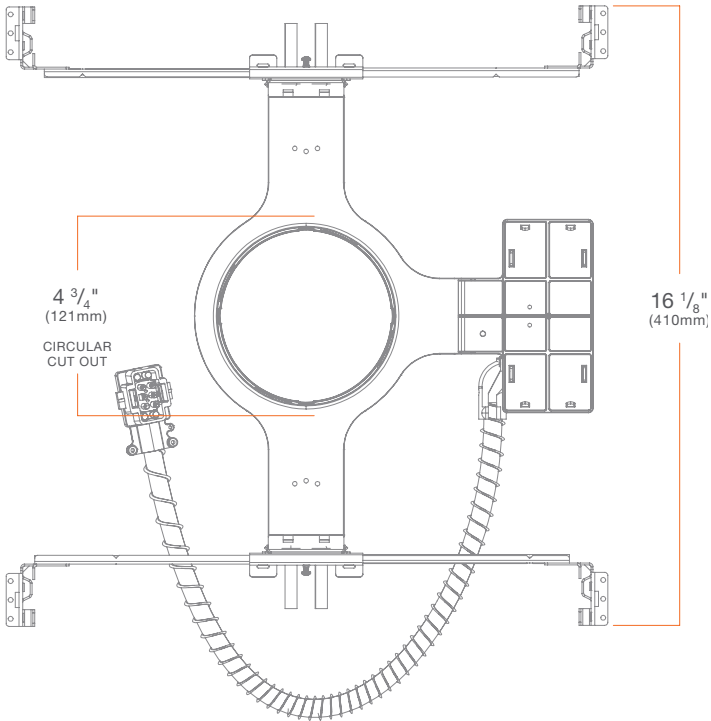
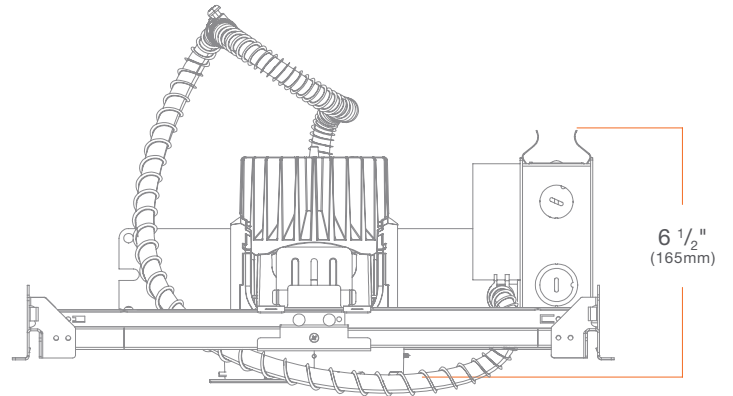
New Construction, 0-10V

DCDHNR4



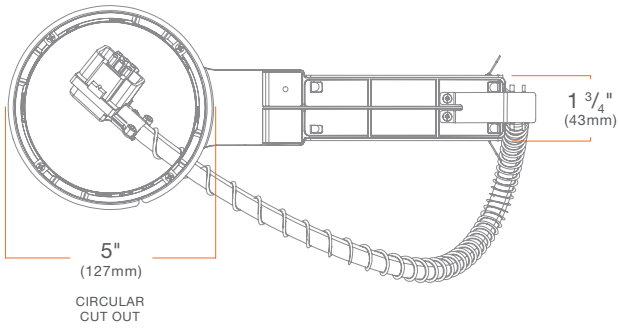
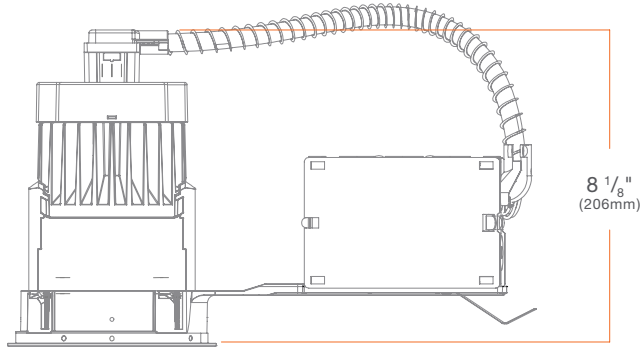
New Construction, EcoSystem or Emergency

DCDHNR4



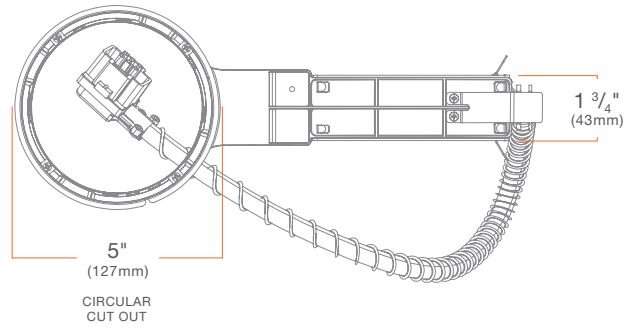
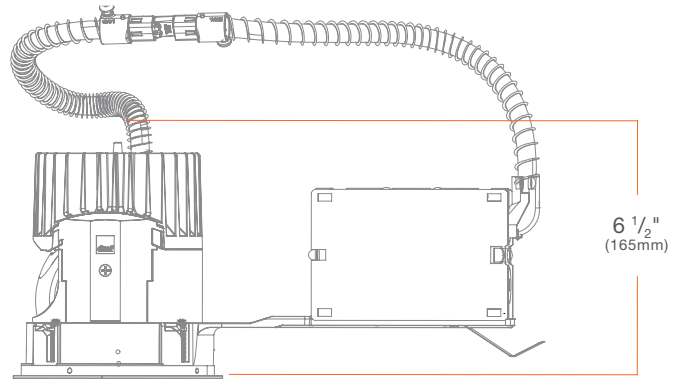
Remodel, 0-10V

DCDHRR4



Remodel, EcoSystem or Emergency

DCDHRR4



TRIM



DCD4 Trims

Recessed LED Downlight Trims

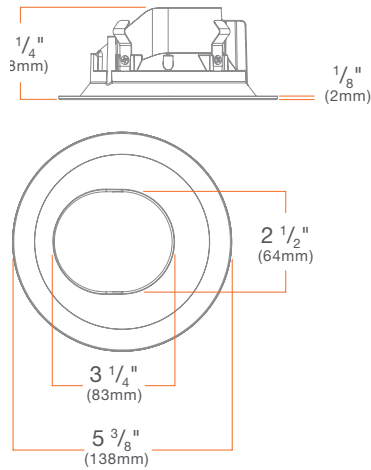
DCD4T

SUMMARY

CONSTRUCTION: Die-cast aluminum

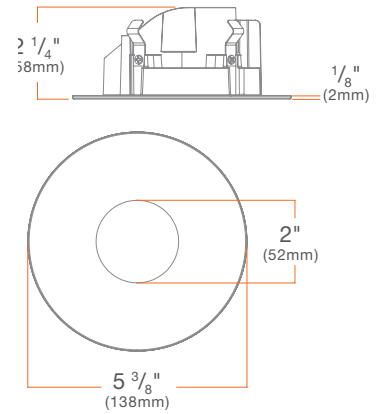
Beveled

DCD4TR4SWH



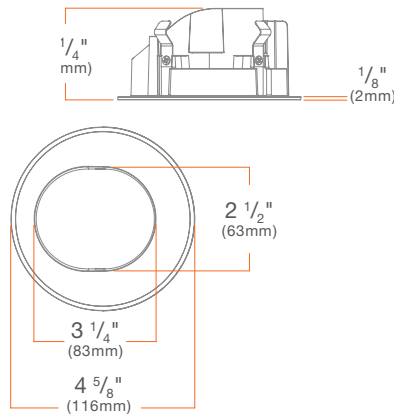
Pinhole

DCD4TR4PWH



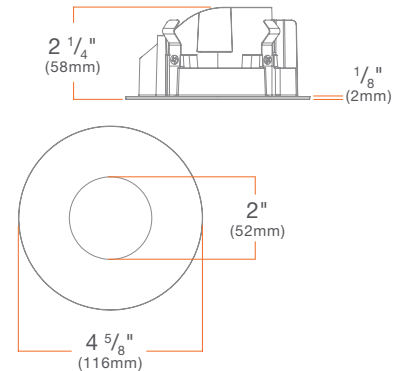
Round Flangeless Trim Insert

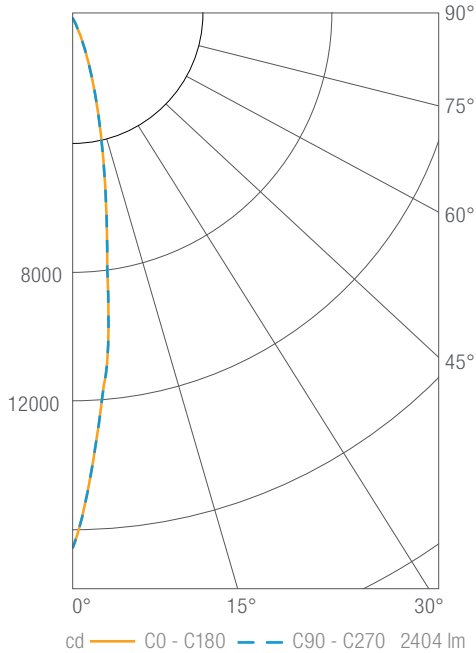
DCD4TR4SWHFL



Pinhole Flangeless Trim Insert

DCD4TR4PWHFL



PHOTOMETRY
DCD4 2000 lm, 3500K, Narrow Spot
DCD4M20935NS


Luminous Intensity

Gamma	C 0°
0°	16638
5°	11640
10°	5937
15°	3092
20°	1621
25°	881
30°	387
35°	168
40°	84
45°	44
50°	27
55°	27
60°	24
65°	18
70°	15
75°	5
80°	1
85°	2
90°	0

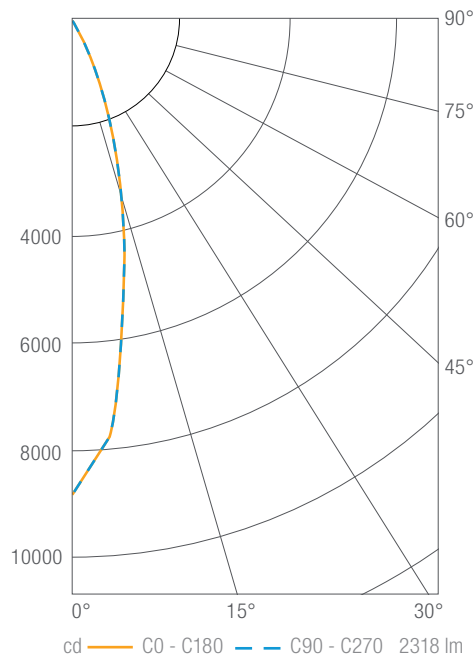
Values in candela

Zonal Lumen Summary

Zone	Lumens	Luminaire %
0-30	2204	92
0-40	2316	96
0-60	2384	99
0-90	2404	100
0-180	2404	100

Illuminance Chart

Distance from LED	Foot Candles	Diameter
3'	1879	0.8'
6'	462	1.6'
9'	205	2.4'
12'	116	3.2'

Beam Angle: 15°
DCD4 2000 lm, 3500K, Spot
DCD4M20935SP


Luminous Intensity

Gamma	C 0°
0°	8807
5°	7800
10°	5475
15°	3419
20°	1901
25°	1074
30°	517
35°	209
40°	101
45°	55
50°	37
55°	34
60°	30
65°	26
70°	13
75°	11
80°	5
85°	1
90°	0

Values in candela

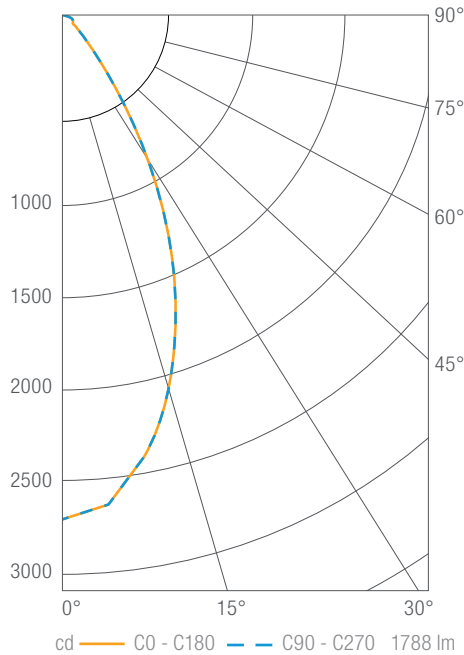
Zonal Lumen Summary

Zone	Lumens	Luminaire %
0-30	2072	89
0-40	2214	96
0-60	2294	99
0-90	2318	100
0-180	2318	100

Illuminance Chart

Distance from LED	Foot Candles	Diameter
3'	979	1.3'
6'	245	2.6'
9'	109	4.0'
12'	61	5.3'

Beam Angle: 24°

PHOTOMETRY
DCD4 2000 lm, 3500K, Flood
DCD4M20935FL

Luminous Intensity

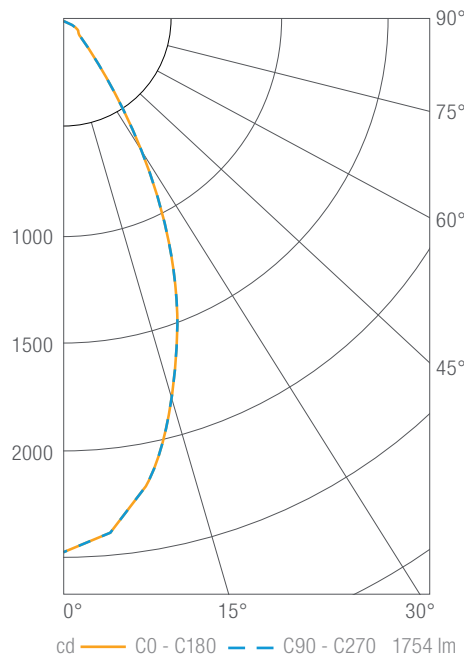
Gamma	C 0°
0°	2732
5°	2664
10°	2437
15°	2112
20°	1734
25°	1276
30°	838
35°	463
40°	219
45°	94
50°	57
55°	55
60°	54
65°	42
70°	36
75°	22
80°	8
85°	4
90°	0

Values in candela
Zonal Lumen Summary

Zone	Lumens	Luminaire %
0-30	1361	76
0-40	1611	90
0-60	1747	98
0-90	1788	100
0-180	1788	100

Illuminance Chart

Distance from LED	Foot Candles	Diameter
3'	303	2.7'
6'	76	5.3'
9'	34	8.0'
12'	19	10.7'

Beam Angle: 48°
DCD4 2000 lm, 3500K, Wide Flood
DCD4M20935WF

Luminous Intensity

Gamma	C 0°
0°	2476
5°	2395
10°	2199
15°	1894
20°	1532
25°	1164
30°	762
35°	425
40°	203
45°	112
50°	84
55°	75
60°	56
65°	33
70°	15
75°	6
80°	4
85°	1
90°	0

Values in candela
Zonal Lumen Summary

Zone	Lumens	Luminaire %
0-30	1257	72
0-40	1534	88
0-60	1698	97
0-90	1754	100
0-180	1754	100

Illuminance Chart

Distance from LED	Foot Candles	Diameter
3'	275	2.7'
6'	69	5.3'
9'	31	8.0'
12'	17	10.7'

Beam Angle: 48°

PHOTOMETRY

Lumen Scaling

DCD4M15 (1500 lm)	DCD4M20 (2000 lm)	DCD4M25 (2500 lm)
0.75	1.00	1.25

CCT Scaling

DCD4M20927 (2700K)	DCD4M20930 (3000K)	DCD4M20935 (3500K)	DCD4M20940 (4000K)
0.91	0.96	1.00	1.03

DIMMER COMPATIBILITY

Recommended 0-10V Dimmers (Dims down to 1% nominal measured light output)

Brand	Series	Model Number	Max Load
Cooper	Decorator	DAL06P, DLC03P	20
	Slide	SLC03P	20
Leviton	Sure Slide	6621, 6631	10
Lutron	Diva CL	DVCL-153P	10
	Diva CL	DVCL-253P	15
	Grafik	GTJ-150-WH	10
	Maestro	MRF2-6ND	10
	Maestro CL	MACL-153	10
	Maestro CL	MA-PRO-WH	15
	Maestro CL	MACL-153M, MSCL-OP153M, MSCL-VP153M	10
	Radio RA	RRD-6NA, RRD-6ND	10
	SkyLark	SELV-300P	20