

# H Series Cylinder

## Pendant Mount

Project:	Type:
Product Code:	Date:

V102023



**Sleek, Pendant Mount** adds a decorative feature to your space

**Integrated brightness switch** allows you to adjust the lumen output based on pendant height and illuminance needs

**Decorative Diffused** trim allows for elegant task illumination above countertops, desks, and kitchen islands

**Natural Warm Dim** options provide a comfortable white light at full brightness that transitions to a relaxing sunset effect at lower dimming levels

### CYLINDER

#### Mount

Pendant (48" cord with 8" partial stem)

#### Size

Diameter: 3.5"  
Total Length: 8.5"

#### Trim

5.5" Decorative Trim Only

#### Finish

White

### LIGHT OUTPUT & DISTRIBUTION



#### Brightness Switch

350 lm (5W), 750 lm (9W), 950 lm (12W)


#### Color Quality

90+ CRI, 3-step SDCM

#### Color Temperature

-  Natural Warm Dim (3000K-2200K)
-  Natural Warm Dim (2700K-1800K)

#### Beam Spread

 General Ambient (90°)

#### Lighting Type

  
Downlight

#### Warranty

5 year limited warranty; 50,000 hours

### POWER & CONTROLS

#### Input Voltage

120 V

#### 5% Dimming

TRIAC/ELV

#### Mounting

Most 3O, 4O, 4R Junction boxes

### RATINGS

-  UL Listed for Damp Location
-  NSF Listed (White Finish Only)



### PRODUCT BUILDER

<b>CYLINDER</b>	<input type="text" value="HCP3D"/>	<b>HCP3D</b> H Series Cylinder, Pendant Mount
<b>CCT</b>	<input type="text"/>	<b>3C</b> 3000K–2200K <b>2C</b> 2700K–1800K
<b>FINISH</b>	<input type="text"/>	<b>WH</b> White

### SUMMARY

#### WARM DIM

<b>CCT</b>	3000K-2200K, 2700K-1800K
<b>LUMENS (POWER)</b>	Up to 950 lm - Selectable 350 lm (5W), 750 lm (9W), 950 lm (12W)
<b>EFFICACY</b>	70 lm/W, 60 lm/W, 67 lm/W
<b>COLOR QUALITY</b>	90+ CRI <sup>1</sup> , 3-step SDCM
<b>BEAM SPREAD</b>	Flood (40°)
<b>DIMMING</b>	TRIAC/ELV (120V) 5%
<b>LED CHIP</b>	Bridgelux
<b>LISTINGS</b>	Energy Star Qualified <sup>2</sup> , California Title 24 2016-2022 JA8-E Compliant, UL Listed for Damp Location, UL Certified US-CA, Declare, RoHS Compliant, NSF/ANSI 2 listed, suitable for splash-zone <sup>3</sup>

<sup>1</sup> Tested in accordance to IESNA LM-79-2008

<sup>2</sup> Refer to ENERGY STAR Certified light fixtures database

<sup>3</sup> This product has been evaluated in accordance to NSF/ANSI 2 for Splash Zones having designated trim finishes. Complies with standard white finishes only.

### ADDITIONAL

**INPUT VOLTAGE:** 120V

**MAX INPUT CURRENT (120V):** 0.105 amps

**POWER FACTOR:** Greater than 0.9

**TOTAL HARMONIC DISTORTION:** Less than 20%

**AMBIENT OPERATING TEMPERATURE:** -20°C to 40°C

**LIFETIME:** 50,000 hours at 70% lumen maintenance

**WARRANTY:** 5 year limited warranty

**CYLINDER:** Extruded aluminum

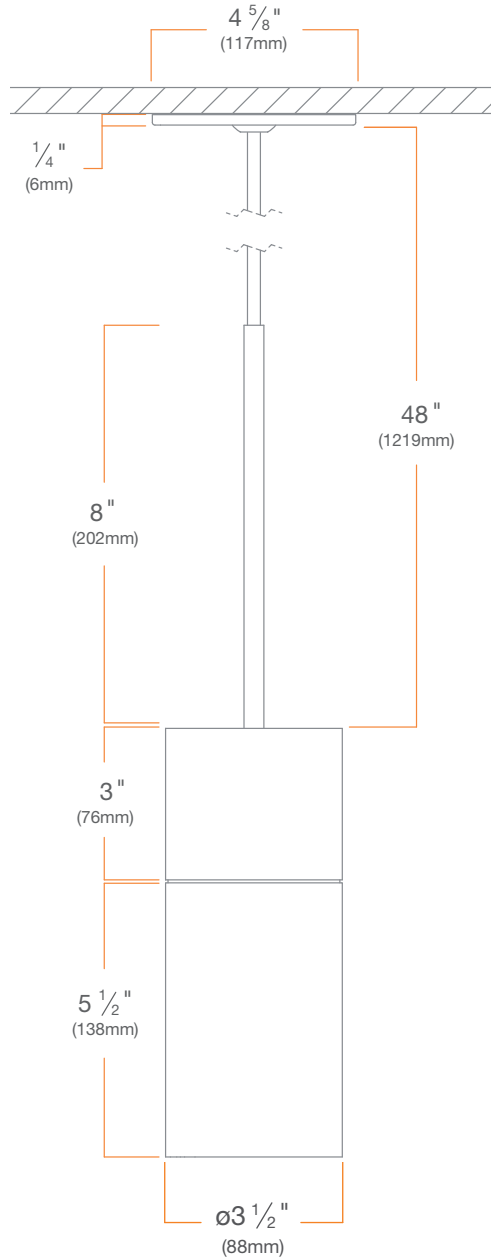
**SIZE:** 8.5"

**FINISH:** White

**INSTALLATION:** Standard bracket compatible with two-gang, 3" octagonal, 3" round metallic, 3" round non-metallic old work, 4" octagonal, 4" round, and 4" square junction boxes

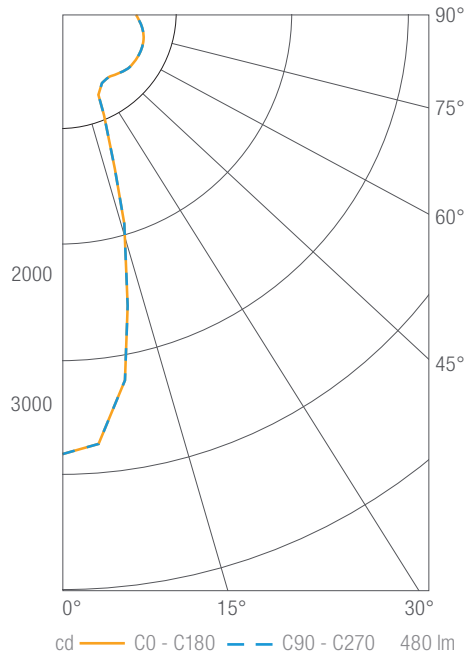
### 8.5" Pendant Mount

HCP3D



### PHOTOMETRY

#### HCP3D3CWH 750lm, 9W, 3000K-2200K



#### Luminous Intensity

Gamma	C 0°
0°	305.13
5°	299.34
10°	255.94
15°	174.21
20°	98.32
25°	62.61
30°	55.42
35°	55.25
40°	55.92
45°	57.53
50°	59.3
55°	60.19
60°	60.62
65°	60.77
70°	59.81
75°	58.92
80°	57.44
85°	54.54
90°	50.53

Values in candela

#### Zonal Lumen Summary

Zone	Lumens	Luminaire %
0-30	107	22
0-40	142	30
0-60	240	50
0-90	422	88
0-180	480	100

#### Illuminance Chart

Distance from LED	Foot Candles	Diameter
3'	34	1.8'
6'	8	3.5'
9'	4	5.3'
12'	2	7.1'

Beam Angle: 33°