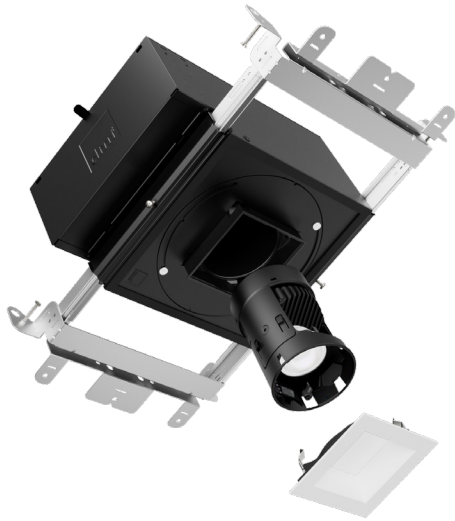


Project:	Type:
Product Code:	Date:

V041024



## 2" Square Adjustable

**2" Adjustable** delivers high quality light with field changeable optics

**Precision Lock Collar** eliminates overcutting and ensures flush installation

**Architectural Trims** are wet painted for a rich, matte finish

**Integrated Drivers** provide smooth dimming, ease of installation and serviceability

### INSTALLATION

#### Ceiling Thickness

New Construction: 1/2" up to 1 1/4"

Remodel: 5/8" up to 1 1/4"

#### Ceiling Material

Drywall, Millwork

### TRIMS

#### Style

Standard, Micro Flange, Pinhole, Flangeless

#### Finish

White, Black, Bronze, Clear Diffuse, Warm Diffuse

### LIGHT OUTPUT & DISTRIBUTION

#### Module

Adjustable

#### Adjustment

360° directional aim, 35° tilt

#### Lumens (Power)

500 lm (9.5W), 750 lm (9.5W), 1000 lm (12.5W)







#### Color Quality

93 CRI, 2-step SDCM

#### Color Temperature

- 2700K     3000K     3500K
- 4000K     Warm Dim (3000K–1800K)
- Tunable White (4000K–1800K)
- Tunable White (6500K–2700K)

#### Beam Spread

-  Ultra Narrow Spot (10°)     Narrow Spot (20°)
-  Spot (30°)     Flood (40°)
-  Wide Flood (50°)     Linear Spread (50°x30°)

### POWER & CONTROLS







#### Input Voltage

120 / 277V

#### Dimming

0-10V (1%), TRIAC/ELV (1%), DALI-2 (0.1%)

### RATINGS & CERTIFICATIONS

-  IC Insulation Contact Rated (New Construction Only; IC for roll, batt, loose fill and spray foam)
-  ASTM E283 Certified Air Tight
-  Chicago Plenum
-  UL Listed for Damp Location (Flanged Trims Only)
-  RoHS Compliant
-  NSF Listed (White and Black Finish Only)

### WARRANTY

5 year limited warranty; 50,000 hours



### PRODUCT BUILDER

#### HOUSING

PRODUCT CODE		INSTALLATION		SHAPE	
<b>X2</b>	2" Housing	<b>NC</b>	New Construction	<b>S</b>	Square
		<b>CP</b>	Chicago Plenum		
		<b>RM</b>	Remodel <sup>1</sup>		

<sup>1</sup> Non-IC installation only; Flanged trims only; Not available with DALI-2 dimming; Not available for wood ceiling

#### MODULE

PRODUCT CODE		LUMENS		CRI		CCT <sup>2</sup>		BEAM SPREAD		DIMMING	
<b>XMA</b>	Adjustable	<b>05</b>	500 lm <sup>3</sup>	<b>9</b>	93 CRI	<b>27</b>	2700K	<b>UN</b>	Ultra Narrow Spot (10°) <sup>6</sup>	<b>O</b>	0-10V
		<b>07</b>	750 lm			<b>30</b>	3000K	<b>NS</b>	Narrow Spot (20°)	<b>T</b>	TRIAC/ELV
		<b>10</b>	1000 lm			<b>35</b>	3500K	<b>SP</b>	Spot (30°)	<b>D</b>	DALI-2 <sup>7</sup>
						<b>40</b>	4000K	<b>FL</b>	Flood (40°)		
						<b>3W</b>	Warm Dim (3000K - 1800K) <sup>4</sup>	<b>WF</b>	Wide Flood (50°)		
						<b>T1</b>	Tunable White (4000K - 1800K) <sup>5</sup>	<b>LS</b>	Linear Spread (50°x30°)		
						<b>T2</b>	Tunable White (6500K - 2700K) <sup>5</sup>				

<sup>2</sup> DarkSky approved is only applicable to CCT options less than or equal to 3000K

<sup>3</sup> Only available with UN beam spread

<sup>4</sup> Only available in 1000 lm; Not available in Narrow Spot beam spread

<sup>5</sup> Only available in 750 lm, DALI-2 dimming

<sup>6</sup> Only available in 500 lm, not available as an optical accessory

<sup>7</sup> Only available in 750 lm with Tunable White CCT, 1000 lm Warm Dim or 1000 lm with static CCT

#### TRIM

PRODUCT CODE		FINISH		OPTION	
<b>X2TSAS</b>	2" Standard Trim	<b>WH</b>	White	<b>[Blank]</b>	None
<b>X2TSAP</b>	2" Pinhole Trim <sup>8,9</sup>	<b>BK</b>	Black	<b>MF</b>	Micro Flange <sup>8</sup>
		<b>BZ</b>	Bronze	<b>FL</b>	Flangeless <sup>8,10</sup>
		<b>CW</b>	Clear Diffuse, White Flange		
		<b>WW</b>	Warm Diffuse, White Flange		

<sup>8</sup> Not available in Clear or Warm Diffuse finish

<sup>9</sup> Not available in Micro flange

<sup>10</sup> Requires Flangeless Mud or Wood Kit in New Construction housings; Not compatible with Remodel Housing

## PRODUCT BUILDER

---

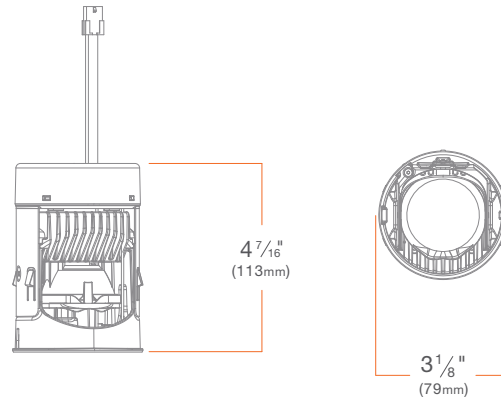
### OPTICS

<b>XAXNS</b>	Narrow Spot (20°) Optic
<b>XAXSP</b>	Spot (30°) Optic
<b>XAXFL</b>	Flood (40°) Optic
<b>XAXWF</b>	Wide Flood (50°) Optic
<b>XAXLS</b>	Linear Spread (50°x30°) Optic
<b>XAXOP</b>	Bundled Adjustable Optics Kit <i>(Includes Narrow Spot, Spot, Flood, Wide Flood and Linear Spread)</i>

### ACCESSORIES

<b>X2KSMUD</b>	Flangeless Mud Kit <i>(Required for New Construction installation of flangeless trim in drywall ceiling)</i>
<b>X2KSWOOD</b>	Wood Kit <i>(Required for New Construction installation of all trims in wood ceiling)</i>
<b>X2KSTEMPLATE</b>	Router Template <i>(Recommended for routing 3 1/4" [82mm] cutout in wood ceiling)</i>

### MODULE



### PERFORMANCE SUMMARY

	STATIC CCT	WARM DIM	TUNABLE WHITE
<b>CCT</b>	2700K, 3000K, 3500K, 4000K	3000K - 1800K	4000K - 1800K; 6500K - 2700K
<b>LUMENS (POWER)</b>	500 lm (9.5W), 750 lm (9.5W), 1000 lm (12.5W)	1000 lm (12.0W)	750 lm (13.4W)
<b>EFFICACY</b>	40 lm /W, 60 lm/W, 70 lm/W	83 lm/W	56 lm/W
<b>COLOR QUALITY</b>	93 CRI <sup>1</sup> , 2-step SDCM	93 CRI <sup>1</sup> , 3-step SDCM	93 CRI <sup>1</sup> , 3-step SDCM
<b>BEAM SPREAD</b>	Ultra Narrow Spot (10°), Narrow Spot (20°), Spot (30°), Flood (40°), Wide Flood (50°), Linear Spread (50°x30°)	Spot (30°), Flood (40°), Wide Flood (50°), Linear Spread (50°x30°)	Narrow Spot (20°), Spot (30°), Flood (40°), Wide Flood (50°), Linear Spread (50°x30°)
<b>DIMMING</b>	0-10V, TRIAC/ELV, DALI-2	0-10V, TRIAC/ELV, DALI-2	DALI-2
<b>LED CHIP</b>	Cree	Bridgelux	Bridgelux
<b>LISTINGS</b>	ENERGY STAR <sup>®</sup> qualified <sup>2</sup> , California Title 24 2019-2022 JA8-E Compliant, UL Listed for Damp Location, UL Certified US-CA, Declare, RoHS compliant, DALI-2 Compliant, NSF/ANSI 2 Listed <sup>3</sup> , Dark Sky Compliant <sup>4</sup>		
<b>ADJUSTMENT</b>	360° directional aim, 35° tilt		
<b>SLOPE CEILING COMPATIBILITY</b>	Up to 35°		

<sup>1</sup> Tested in accordance to IESNA LM-79-2008  
<sup>2</sup> Refer to ENERGY STAR Certified light fixtures database

<sup>3</sup> In accordance to NSF/ANSI 2 for Splash Zone having designated trim finishes

<sup>4</sup> Only applicable to CCT options less than or equal to 3000K and not compatible with decorative trims

### ADDITIONAL

**INPUT VOLTAGE:** 120/277V, 50/60Hz

**MAX INPUT CURRENT (120V):** 0.11 amps

**MAX INPUT CURRENT (277V):** 0.05 amps

**CONNECTOR:** 6-pin Molex

**POWER FACTOR:** Greater than 0.9

**TOTAL HARMONIC DISTORTION:** Less than 20%

**AMBIENT OPERATING TEMPERATURE:** -20°C to 40°C

**WARRANTY:** 5 year limited warranty; 50,000 hours at 70% lumen maintenance

TRIMS



SUMMARY

**CONSTRUCTION:** Die-cast aluminum

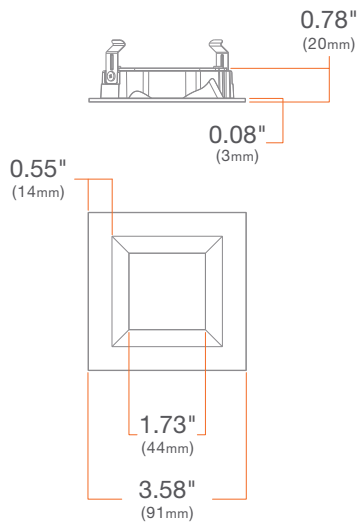
**FINISH:** Wet paint

**INSTALLATION:** Precision Lock Collar included with Flanged or Micro Flange Trim and Flangeless Mud or Wood Kit

**WARRANTY:** 5 year limited warranty

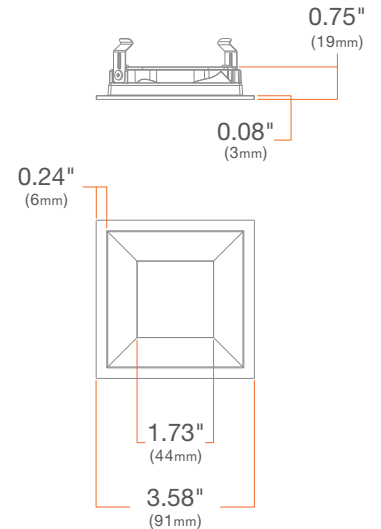
Standard

X2TSASWH



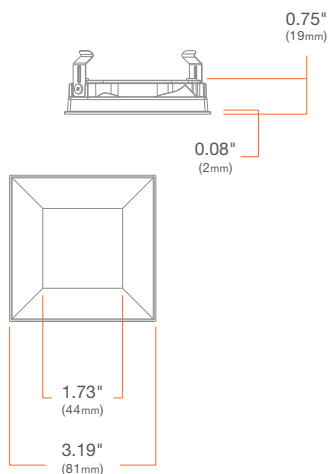
Standard Micro Flange

X2TSASWHMF



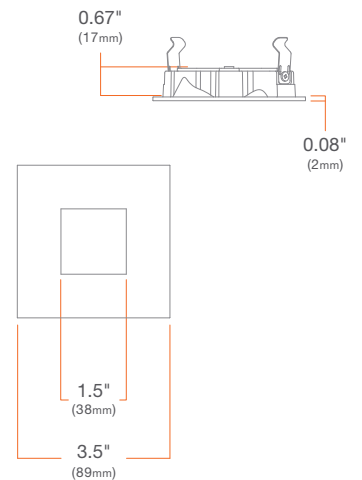
Standard Flangeless

X2TSASWHFL



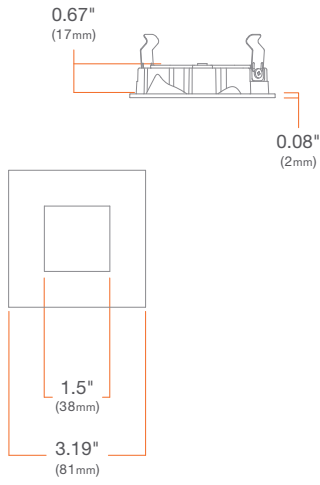
Pinhole

X2TSAPWH



### Pinhole Flangeless

X2TSAPWHFL



## HOUSING



### New Construction **X2NCS** Chicago Plenum **X2CPS**

#### SUMMARY

**JUNCTION BOX:** Equipped with 10 knockouts: four 1/2" trade size knockouts, two 3/4" trade size knockouts, and four romex knockouts. Approved for 8 (four in, four out) #12 AWG 70°C.

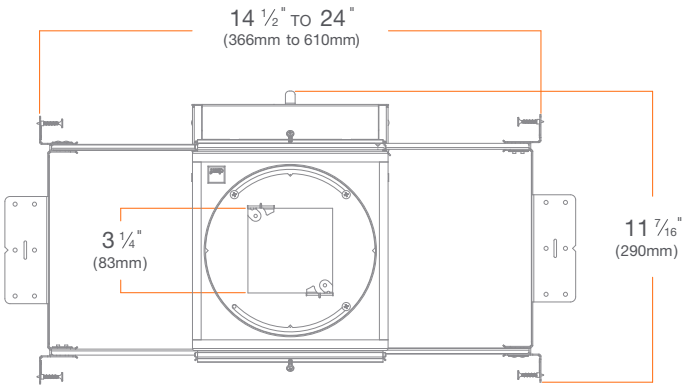
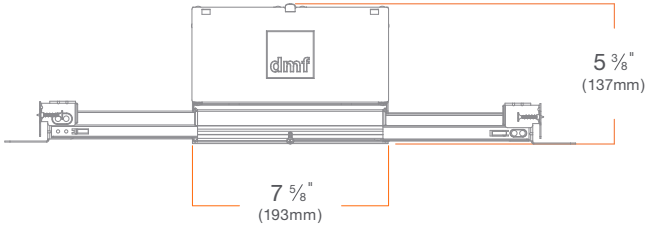
**BAR HANGER MOUNTING:** Adjustable Bar Hangers for 14.5" to 24" joist spacing, when bar hangers are broken down, up to 10.5" of joist spacing. Compatible with traditional joists, Armstrong™ ceiling, Hat Channel and T-Bar. Vertical adjustment (0.5"-1.25") through installation of the square collar.

**CEILING:** 1/2" up to 1 1/4"

**CUTOUT:** 3 1/4" (82mm) square opening

**LISTINGS:** Chicago Plenum, ASTM E283 certified Air Tight, IC (Insulation Contact) up to R-32 for Roll, Batt, and Loose Fill, up to R-60 Spray Foam with standard trims, up to R-32 Spray Foam with other trims

**WARRANTY:** 5 year limited warranty



HOUSING



Remodel

X2RMS

SUMMARY

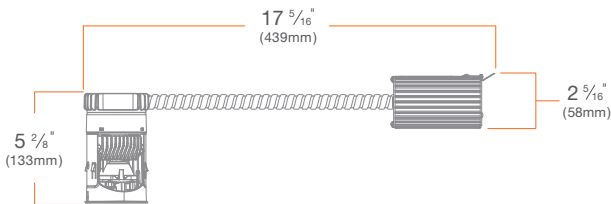
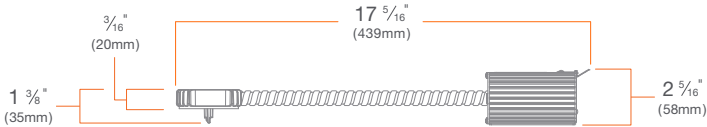
**JUNCTION BOX:** Equipped with four knockouts: two 1/2" trade size knockouts and two romex knockouts. Approved for 8 (four in, four out) #12 AWG 70°C.

**CEILING:** 5/8" up to 1 1/4"

**CUTOUT:** 3 1/4" (82mm) square opening

**LISTINGS:** Non-IC

**WARRANTY:** 5 year limited warranty





ACCESSORIES

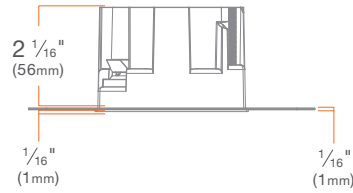
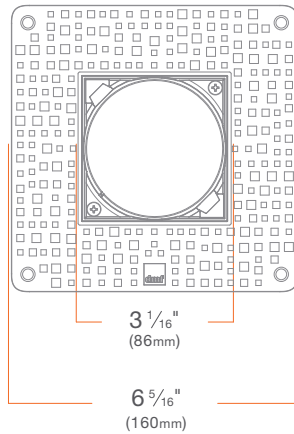


**Flangeless Mud Kit**

**X2KSMUD**

**SUMMARY:** Flangeless Mud Kit (Required for New Construction installation of Flangeless Trim in drywall ceiling)

**CEILING:** 0.5" up to 1.25"

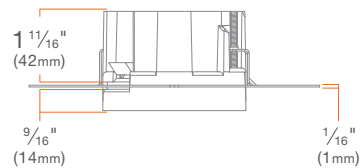
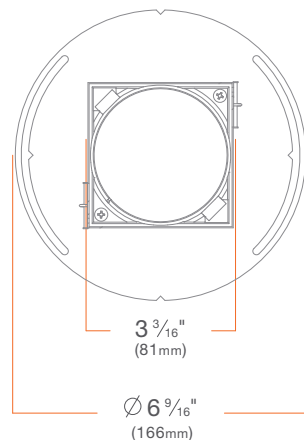


**Wood Kit**

**X2KSWOOD**

**SUMMARY:** Wood Kit (Required for New Construction installation of all trims in wood ceiling)

**CEILING:** 0.5" up to 1"



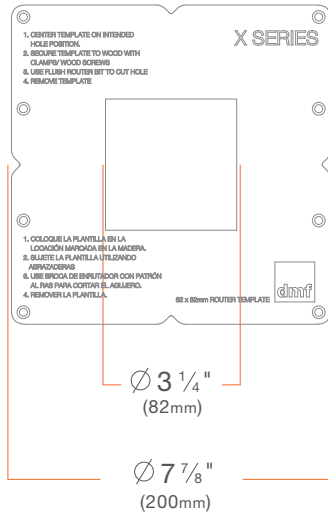
## ACCESSORIES



### Router Template

#### X2KSTEMPLATE

**SUMMARY:** Router Template (Recommended for routing 3 1/4" [82mm] cutout in wood ceiling)

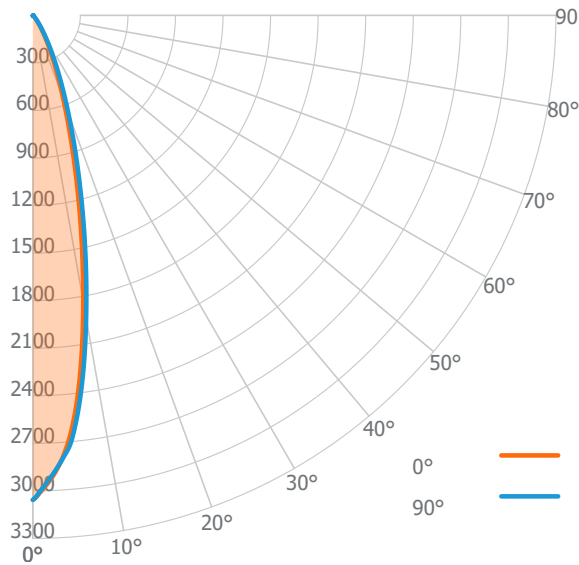


## PHOTOMETRY

### 1000 lm, 3000K, Narrow Spot **XMA10930NST**

2" Standard White Trim **X2TSASWH**

Candela Distribution



Luminous Intensity

	0°
0°	3057
5°	2670
10°	1832
15°	1055
20°	563
25°	294
30°	143
35°	65
40°	29
45°	13
50°	7
55°	6
60°	5
65°	4
70°	3
75°	2
80°	1
85°	1
90°	0

Zonal Lumen Summary

Zone	Lumens	Luminaire %
0° - 30°	686	91%
0° - 40°	732	97%
0° - 60°	749	99%
0° - 90°	755	100%
0° - 180°	755	100%

Illuminance Chart

Distance from LED	Foot Candles	Diameter
3 ft	339.6 fc	1.3 ft
6 ft	84.9 fc	2.5 ft
9 ft	37.7 fc	3.8 ft
12 ft	21.2 fc	5.0 ft

Input Watts: **12.0 W**

Lumens: **755 lm**

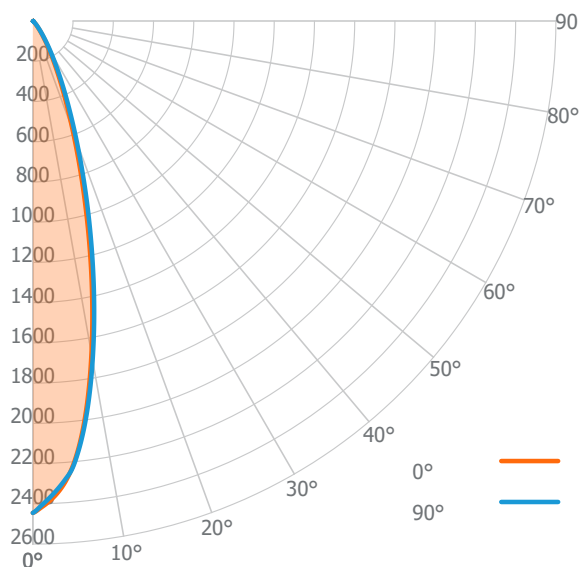
Efficacy: **63 lm/W**

Beam Angle: **24° x 25°**

### 1000 lm, 3000K, Spot **XMA10930SPT**

2" Standard White Trim **X2TSASWH**

Candela Distribution



Luminous Intensity

	0°
0°	2445
5°	2231
10°	1679
15°	1055
20°	583
25°	308
30°	158
35°	75
40°	33
45°	15
50°	8
55°	6
60°	5
65°	4
70°	3
75°	2
80°	1
85°	1
90°	0

Zonal Lumen Summary

Zone	Lumens	Luminaire %
0° - 30°	640	89%
0° - 40°	691	97%
0° - 60°	710	99%
0° - 90°	716	100%
0° - 180°	716	100%

Illuminance Chart

Distance from LED	Foot Candles	Diameter
3 ft	271.7 fc	1.5 ft
6 ft	67.9 fc	2.9 ft
9 ft	30.2 fc	4.4 ft
12 ft	17.0 fc	5.8 ft

Input Watts: **12.0 W**

Lumens: **716 lm**

Efficacy: **60 lm/W**

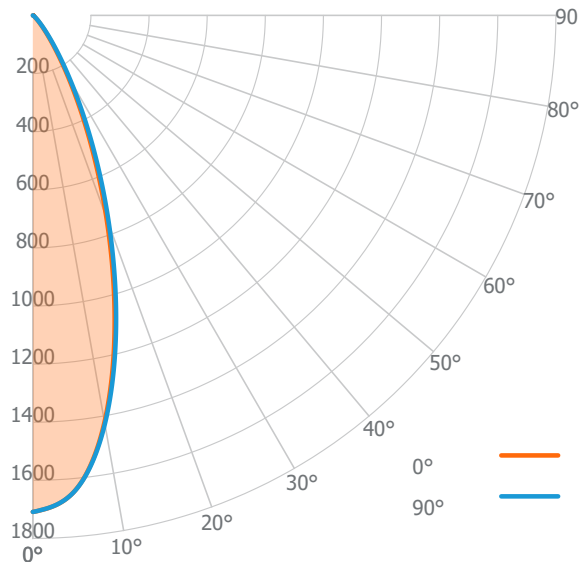
Beam Angle: **27° x 28°**

## PHOTOMETRY

1000 lm, 3000K, Flood **XMA10930FLT**

2" Standard White Trim **X2TSASWH**

Candela Distribution



Luminous Intensity

Angle	Luminous Intensity (cd)
0°	1709
5°	1644
10°	1421
15°	1088
20°	740
25°	448
30°	239
35°	114
40°	50
45°	22
50°	10
55°	6
60°	5
65°	4
70°	3
75°	2
80°	1
85°	1
90°	0

Zonal Lumen Summary

Zone	Lumens	Luminaire %
0° - 30°	653	86%
0° - 40°	730	96%
0° - 60°	755	99%
0° - 90°	762	100%
0° - 180°	762	100%

Illuminance Chart

Distance from LED	Foot Candles	Diameter
3 ft	189.8 fc	2.0 ft
6 ft	47.5 fc	4.0 ft
9 ft	21.1 fc	6.0 ft
12 ft	11.9 fc	7.9 ft

Input Watts: **12.0 W**

Lumens: **762 lm**

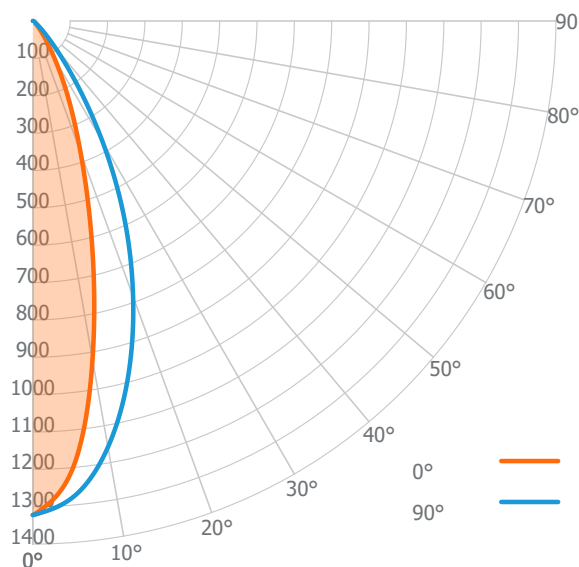
Efficacy: **64 lm/W**

Beam Angle: **37° x 37°**

1000 lm, 3000K, Linear Spread **XMA10930LST**

2" Standard White Trim **X2TSASWH**

Candela Distribution



Luminous Intensity

Angle	Luminous Intensity (cd)
0°	1322
5°	1206
10°	920
15°	610
20°	373
25°	221
30°	118
35°	58
40°	28
45°	14
50°	8
55°	6
60°	5
65°	4
70°	3
75°	2
80°	1
85°	1
90°	0

Zonal Lumen Summary

Zone	Lumens	Luminaire %
0° - 30°	509	81%
0° - 40°	591	94%
0° - 60°	619	99%
0° - 90°	628	100%
0° - 180°	628	100%

Illuminance Chart

Distance from LED	Foot Candles	Diameter
3 ft	146.9 fc	1.5 ft
6 ft	36.7 fc	3.0 ft
9 ft	16.3 fc	4.5 ft
12 ft	9.2 fc	6.0 ft

Input Watts: **12.0 W**

Lumens: **628 lm**

Efficacy: **52 lm/W**

Beam Angle: **28° x 46°**