

Project:	Type:
Product Code:	Date:

V041724



## 2" Round Downlight

**2" Downlight** delivers high quality light with field changeable optics

**Precision Lock Collar** eliminates overcutting and ensures flush installation

**Architectural Trims** are wet painted for a rich, matte finish

**Integrated Drivers** provide smooth dimming, ease of installation and serviceability

### INSTALLATION

#### Ceiling Thickness

New Construction: 1/2" up to 1 1/4"  
Remodel: 5/8" up to 1 1/4"  
Extension Collar: 1 1/4" up to 3"

#### Ceiling Material

Drywall, Millwork

### TRIMS

#### Style

Standard, Hyperbolic, Wall Wash, Pinhole, Micro Flange, Flangeless, Decorative

#### Finish

White, Black, Bronze, Clear Diffuse, Warm Diffuse, Custom (RAL colors)

### SPECIALTY LENS

Hexcell Louver

### LIGHT OUTPUT & DISTRIBUTION

#### Module

Downlight

#### Lumens (Power)

500 lm (9.5W), 750 lm (9.5W), 1000 lm (12.5W), 1250 lm (14.3W), 1500 lm (14.3W)






#### Color Quality

93 CRI, 2-step SDCM

#### Color Temperature

- 2700K
- 3000K
- 3500K
- 4000K
- Warm Dim (3000K–1800K)
- Tunable White (4000K–1800K)
- Tunable White (6500K–2700K)

#### Beam Spread

-  Ultra Narrow Spot (10°)
-  Narrow Spot (20°)
-  Spot (30°)
-  Flood (40°)
-  Wide Flood (50°)
-  Linear Spread (50° x 30°)

### POWER & CONTROLS







#### Input Voltage

120 / 277V

#### Dimming

0-10V (1%), TRIAC/ELV (1%), DALI-2 (0.1%)

### RATINGS & CERTIFICATIONS

-  IC Insulation Contact Rated (New Construction Only, IC for roll, batt, loose fill and spray foam)
-  ASTM E283 Certified Air Tight
-  Chicago Plenum
-  UL Listed for Wet Location (Flanged Trims Only)
-  RoHS Compliant
-  NSF Listed (White and Black Finish Only)

### WARRANTY

5 year limited warranty; 50,000 hours



### PRODUCT BUILDER

#### HOUSING

PRODUCT CODE		INSTALLATION		SHAPE	
<input type="text"/>	<input type="text"/>	<input type="text"/>	<input type="text"/>	<input type="text"/>	<input type="text"/>
<b>X2</b>	2" Housing	<b>NC</b>	New Construction	<b>R</b>	Round
		<b>CP</b>	Chicago Plenum		
		<b>RM</b>	Remodel <sup>1</sup>		

<sup>1</sup> Non-IC installation only; Flanged trims only; Not available with DALI-2 dimming; Not available for wood ceiling

#### MODULE

PRODUCT CODE		LUMENS		CRI		CCT <sup>2</sup>		BEAM SPREAD		DIMMING	
<input type="text"/>	<input type="text"/>	<input type="text"/>	<input type="text"/>	<input type="text"/>	<input type="text"/>	<input type="text"/>	<input type="text"/>	<input type="text"/>	<input type="text"/>	<input type="text"/>	<input type="text"/>
<b>XMD</b>	Downlight	<b>05</b>	500 lm <sup>3</sup>	<b>9</b>	93 CRI	<b>27</b>	2700K	<b>UN</b>	Ultra Narrow Spot (10°) <sup>6</sup>	<b>O</b>	0-10V
		<b>07</b>	750 lm			<b>30</b>	3000K	<b>NS</b>	Narrow Spot (20°)	<b>T</b>	TRIAC/ELV
		<b>10</b>	1000 lm			<b>35</b>	3500K	<b>SP</b>	Spot (30°)	<b>D</b>	DALI-2 <sup>8</sup>
		<b>12</b>	1250 lm			<b>40</b>	4000K	<b>FL</b>	Flood (40°)		
		<b>15</b>	1500 lm			<b>3W</b>	Warm Dim (3000K - 1800K) <sup>4</sup>	<b>WF</b>	Wide Flood (50°)		
						<b>T1</b>	Tunable White (4000K - 1800K) <sup>5</sup>	<b>LS</b>	Linear Spread (50°x30°)		
						<b>T2</b>	Tunable White (6500K - 2700K) <sup>5</sup>	<b>UH</b>	Ultra Narrow Spot Hex Louver <sup>6</sup>		
								<b>NH</b>	Narrow Spot Hex Louver <sup>7</sup>		
								<b>SH</b>	Spot Hex Louver <sup>7</sup>		
								<b>FH</b>	Flood Hex Louver <sup>7</sup>		
								<b>WH</b>	Wide Flood Hex Louver <sup>7</sup>		

<sup>2</sup> DarkSky approved is only applicable to CCT options less than or equal to 3000K and not compatible with decorative trims

<sup>3</sup> Only available with UN or UH beam spread

<sup>4</sup> Only available in 1000 lm; Not available in Narrow Spot beam spread

<sup>5</sup> Only available in 1000 lm, DALI-2 dimming; Not available in Narrow Spot beam spread

<sup>6</sup> Only available in 500 lm, not available as an optical accessory

<sup>7</sup> Not available for 1250 lm, 1500 lm or DALI-2 modules

<sup>8</sup> Only available in 1000 lm with Tunable White CCT, 1000 lm Warm Dim or 1250 lm with static CCT

#### TRIM

PRODUCT CODE		FINISH		OPTION	
<input type="text"/>	<input type="text"/>	<input type="text"/>	<input type="text"/>	<input type="text"/>	<input type="text"/>
<b>X2TRDS</b>	2" Standard Trim	<b>WH</b>	White	<b>[Blank]</b>	None
<b>X2TRDW</b>	2" Wall Wash Trim <sup>9</sup>	<b>BK</b>	Black	<b>MF</b>	Micro Flange <sup>10</sup>
<b>X2TRDP</b>	2" Pinhole Trim <sup>10,11</sup>	<b>BZ</b>	Bronze	<b>FL</b>	Flangeless <sup>10,12</sup>
<b>X2TRDH</b>	2" Hyperbolic Trim <sup>10,11</sup>	<b>CW</b>	Clear Diffuse, White Flange	<b>DO</b>	Decorative: Open <sup>2,13</sup>
		<b>WW</b>	Warm Diffuse, White Flange	<b>DH</b>	Decorative: Hyperbolic <sup>2,13</sup>
		<b>CC</b>	Custom (RAL colors)		

<sup>9</sup> Recommended with Wide Flood beam spread; Not available in custom color finish

<sup>10</sup> Not available in Clear Diffuse, Warm Diffuse or Custom Color finish

<sup>11</sup> Not available in Micro flange

<sup>12</sup> Requires Flangeless Mud or Wood Kit in New Construction housings; Not compatible with Remodel Housing

<sup>13</sup> Only available in 750 lm, Standard style, White finish

## PRODUCT BUILDER

---

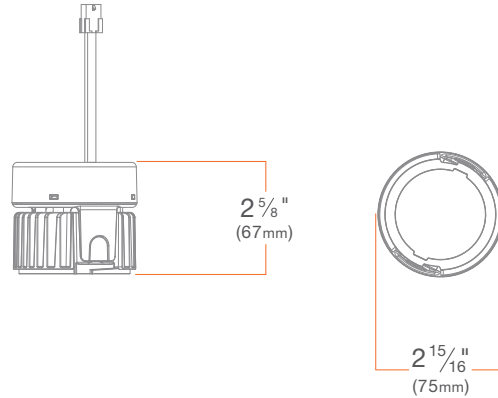
### OPTICS

<b>ADXNS</b>	Narrow Spot (20°) Optic
<b>ADXSP</b>	Spot (30°) Optic
<b>ADXFL</b>	Flood (40°) Optic
<b>ADXWF</b>	Wide Flood (50°) Optic
<b>ADXLS</b>	Linear Spread (50°x30°) Optic
<b>ADXNH</b>	Narrow Spot Optic with Hexcell Louver
<b>ADXOP</b>	Bundled Downlight Optics Kit <i>(Includes Narrow Spot, Spot, Flood, Wide Flood and Linear Spread)</i>
<b>ADXSH</b>	Spot Optic with Hexcell Louver
<b>ADXFH</b>	Flood Optic with Hexcell Louver
<b>ADXWH</b>	Wide Flood Optic with Hexcell Louver
<b>ADXHD</b>	High Diffusion Front Lens <i>(Can be paired with all beam spreads to provide extra diffusion; Only available as an optical accessory)</i>
<b>ADXCD</b>	Clear Front Lens <i>(Can be paired with all beam spreads to decrease diffusion and define edges; Only available as an optical accessory)</i>

### ACCESSORIES

<b>X2KRMUD</b>	Flangeless Mud Kit <i>(Required for New Construction installation of flangeless trim in drywall ceiling)</i>
<b>X2KRWOOD</b>	Wood Kit <i>(Required for New Construction installation in wood ceiling)</i>
<b>X2KRTEMPLATE</b>	Router Template <i>(Recommended for routing 3 3/16" [81mm] cutout in wood ceiling)</i>
<b>X2CREXT</b>	Drywall Extension Collar <i>(New Construction only, for ceilings up to 3")</i>
<b>X2KRWOODXL</b>	Wood Extension Collar <i>(New Construction only, for ceilings up to 3")</i>

### MODULE



### PERFORMANCE SUMMARY

	STATIC CCT	WARM DIM	TUNABLE WHITE
<b>CCT</b>	2700K, 3000K, 3500K, 4000K	3000K–1800K	4000K–1800K; 6500K–2700K
<b>LUMENS (POWER)</b>	500 lm (9.5W), 750 lm (9.5W), 1000 lm (12.5W), 1250 lm (14.3W), 1500 lm (14.3W)	1000 lm (12.0W)	1000 lm (14.3W)
<b>EFFICACY</b>	53 lm/W, 79 lm/W, 80 lm/W, 87 lm/W, 105 lm/W	83 lm/W	70 lm/W
<b>COLOR QUALITY</b>	93 CRI <sup>1</sup> , 2-step SDCM	93 CRI <sup>1</sup> , 3-step SDCM	93 CRI <sup>1</sup> , 3-step SDCM
<b>BEAM SPREAD</b>	Ultra Narrow Spot (10°), Narrow Spot (20°), Spot (30°), Flood (40°), Wide Flood (50°), Linear Spread (50°x30°)	Spot (30°), Flood (40°), Wide Flood (50°), Linear Spread (50°x30°)	Spot (30°), Flood (40°), Wide Flood (50°), Linear Spread (50°x30°)
<b>DIMMING</b>	0-10V, TRIAC/ELV, DALI-2	0-10V, TRIAC/ELV, DALI-2	DALI-2
<b>LED CHIP</b>	Cree	Bridgelux	Bridgelux
<b>LISTINGS</b>	ENERGY STAR® Qualified <sup>2</sup> , California Title 24 2019–2022 JA8-E compliant, UL Listed for Wet Location, UL Certified US-CA, Declare, RoHS compliant, DALI-2 Compliant, NSF/ANSI 2 Listed <sup>3</sup> , Dark Sky Compliant <sup>4</sup>		

<sup>1</sup> Tested in accordance to IESNA LM-79-2008

<sup>2</sup> Refer to ENERGY STAR Certified light fixtures database

<sup>3</sup> In accordance to NSF/ANSI 2 for Splash Zone having designated trim finishes

<sup>4</sup> Only applicable to CCT options less than or equal to 3000K and not compatible with decorative trims

### ADDITIONAL

**INPUT VOLTAGE:** 120/277V, 50/60Hz

**MAX INPUT CURRENT (120V):** 0.13 amps

**MAX INPUT CURRENT (277V):** 0.06 amps

**CONNECTOR:** 6-pin Molex

**POWER FACTOR:** Greater than 0.9

**TOTAL HARMONIC DISTORTION:** Less than 20%

**AMBIENT OPERATING TEMPERATURE:** -20°C to 40°C

**WARRANTY:** 5 year limited warranty; 50,000 hours at 70% lumen maintenance

**TRIMS**



**SUMMARY**

**CONSTRUCTION:** Die-cast aluminum

**FINISH:** Wet paint

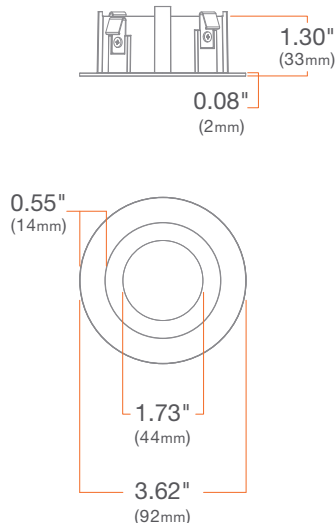
**DECORATIVE:** Acrylic diffuser

**INSTALLATION:** Precision Lock Collar included with Flanged or Micro Flange Trim and Flangeless Mud or Wood Kit

**WARRANTY:** 5 year limited warranty

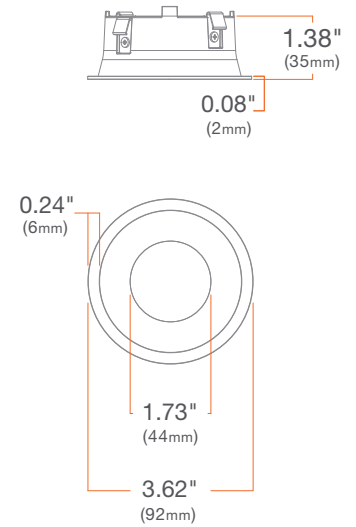
**Standard**

**X2TRDSWH**



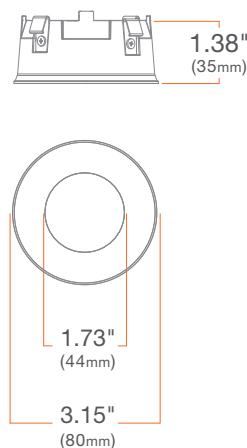
**Standard Micro Flange**

**X2TRDSWHMF**



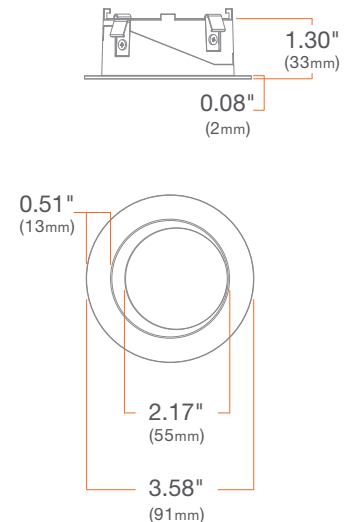
**Standard Flangeless**

**X2TRDSWHFL**



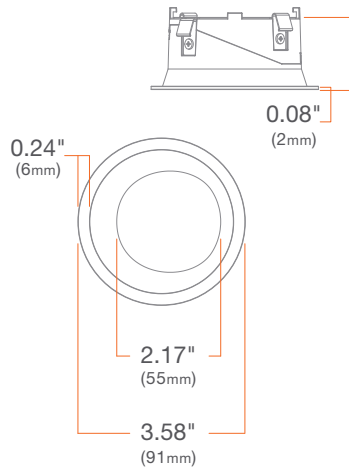
**Wall Wash**

**X2TRDWWH**



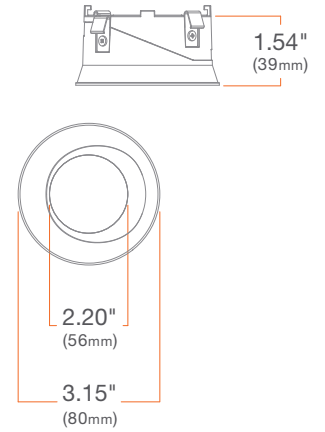
Wall Wash Micro Flange

X2TRDWWHMF



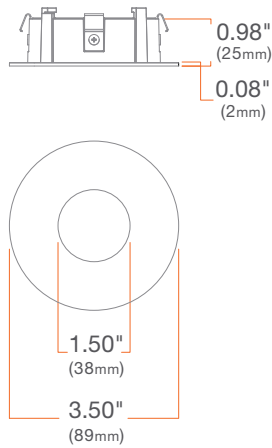
Wall Wash Flangeless

X2TRDWWHFL



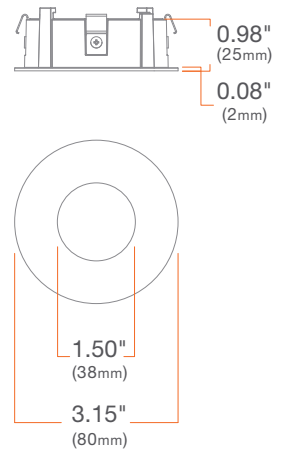
Pinhole

X2TRDPWH



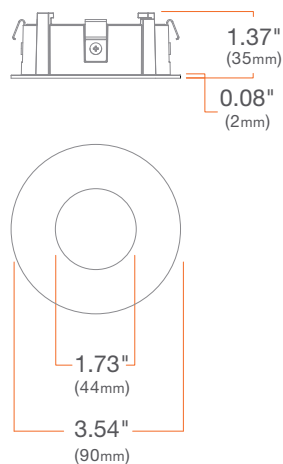
Pinhole Flangeless

X2TRDPWHFL



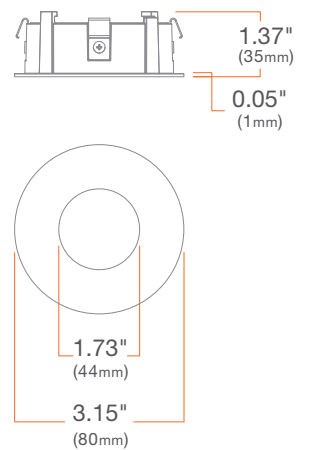
Hyperbolic

X2TRDHW



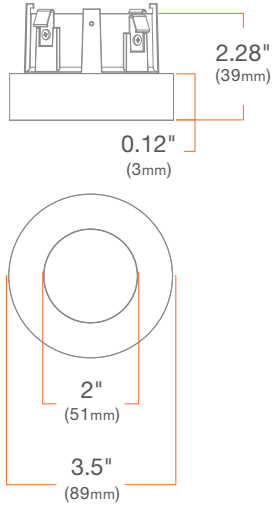
Hyperbolic Flangeless

X2TRDHWFL



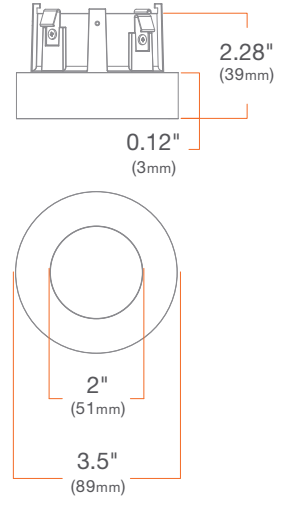
### Decorative: Open

X2TRDSWHDO

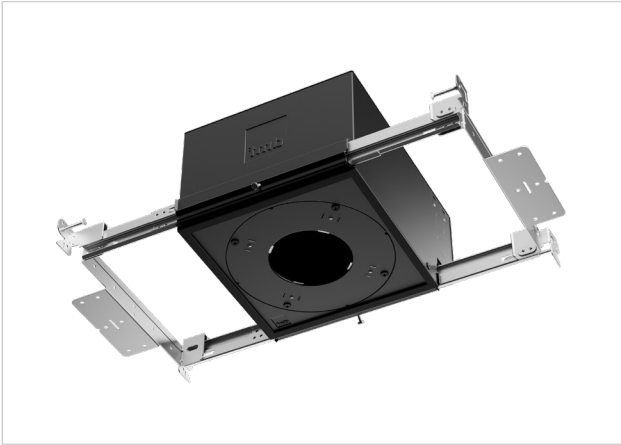


### Decorative: Hyperbolic

X2TRDSWHDH



### HOUSING



### New Construction **X2NCR** Chicago Plenum **X2CPR**

#### SUMMARY

**JUNCTION BOX:** Equipped with 10 knockouts: four 1/2" trade size knockouts, two 3/4" trade size knockouts, and four romex knockouts. Approved for 8 (four in, four out) #12 AWG 70°C

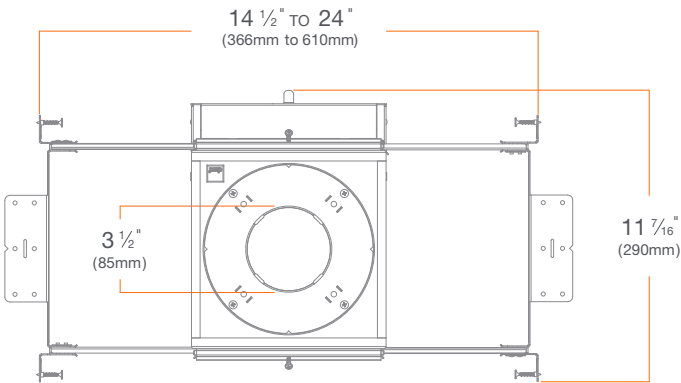
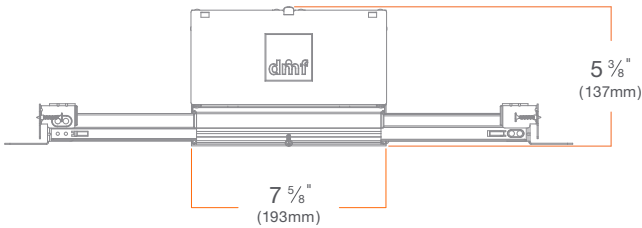
**BAR HANGER MOUNTING:** Adjustable Bar Hangers for 14.5" to 24" joist spacing, when bar hangers are broken down, up to 10.5" of joist spacing. Compatible with traditional joists, Armstrong™ ceiling, Hat Channel and T-Bar. Vertical adjustment (0.5"-1.25") through installation of the round collar.

**CEILING:** 1/2" up to 1 1/4" with standard collar,  
Up to 3" with Extension Collar

**CUTOUT:** 3 1/4" (82mm) round opening

**LISTINGS:** Chicago Plenum, ASTM E283 certified Air Tight, IC (Insulation Contact) up to R-32 for Roll, Batt, and Loose Fill, up to R-60 Spray Foam with standard beveled trims, up to R-32 Spray Foam with other trims or Hex Louver

**WARRANTY:** 5 year limited warranty





**HOUSING**



**Remodel**

**X2RMR**

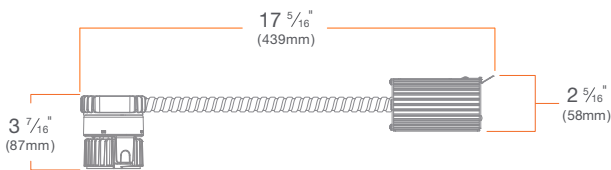
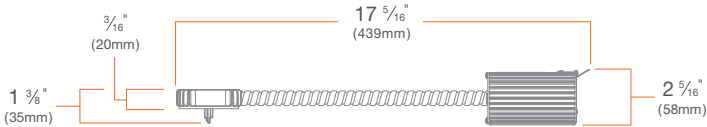
**SUMMARY**

**JUNCTION BOX:** Equipped with four knockouts: two 1/2" trade size knockouts and two romex knockouts. Approved for 8 (four in, four out) #12 AWG 70°C.

**CEILING:** 5/8" up to 1 1/4"

**CUTOUT:** 3 1/4" (82mm) round opening

**WARRANTY:** 5 year limited warranty



## ACCESSORIES

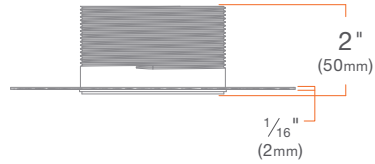
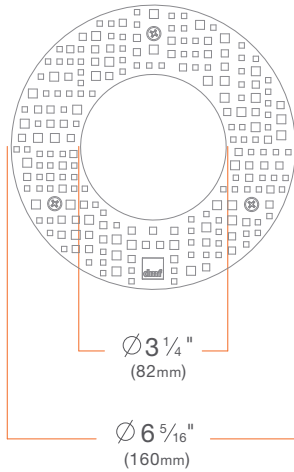


### Flangeless Mud Kit

**X2KRMUD**

**SUMMARY:** Flangeless Mud Kit (Required for New Construction installation of Flangeless Trim in drywall ceiling)

**CEILING:** 0.5" up to 1.25"

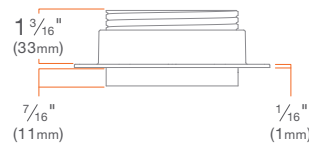
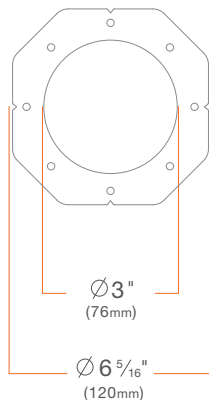


### Wood Kit

**X2KRWOOD**

**SUMMARY:** Wood Kit (Required for New Construction installation in wood ceiling. Must be mounted on wood before installation to ceiling.)

**CEILING:** 0.5" up to 1"



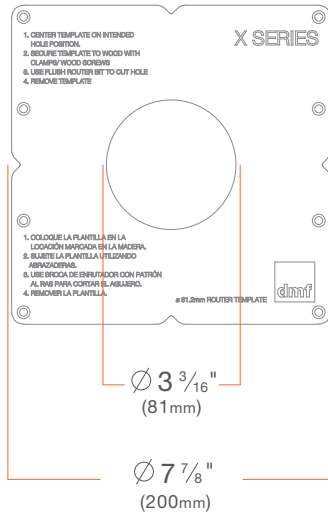
**ACCESSORIES**



**Router Template**

**X2KRTEMPLATE**

**SUMMARY:** Router Template (Recommended for routing 3 3/16" [81mm] cutout in wood ceiling)

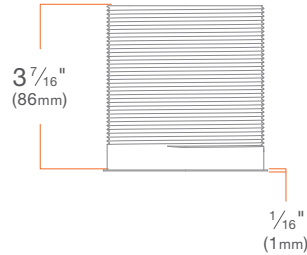
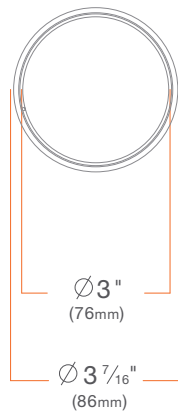


**Extension Collar**

**X2CREXT**

**SUMMARY:** Extension Collar for drywall ceiling with flanged trims

**CEILING:** 0.5" up to 3"



**ACCESSORIES**

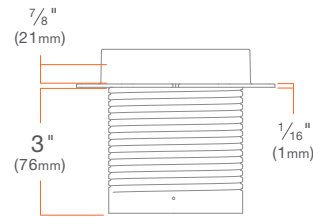
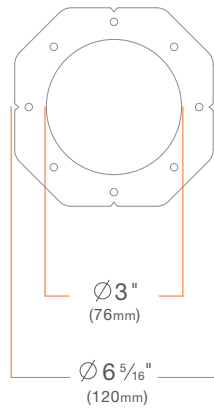


**Wood Extension Collar**

**X2KRWOODXL**

**SUMMARY:** Extension Collar for wood ceiling (Must be mounted on the wood prior to ceiling installation.)

**CEILING:** 0.5" up to 3"

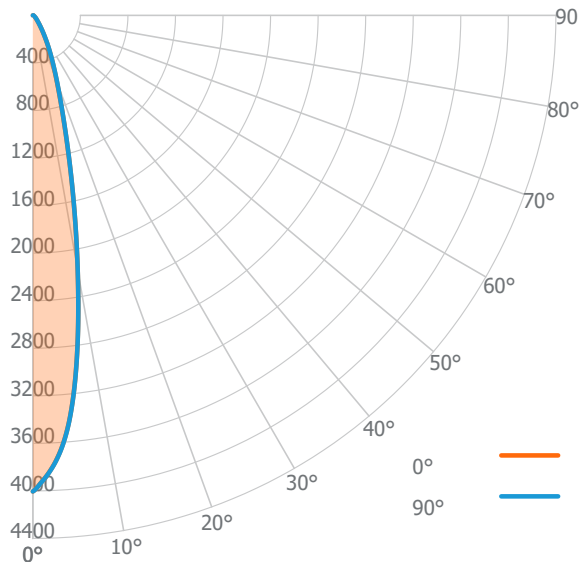


### PHOTOMETRY

1000 lm, 3000K, Narrow Spot **XMD10930NST**

2" Standard White Trim **X2TRDSWH**

Candela Distribution



Luminous Intensity

Angle	Luminous Intensity (cd)
0°	4005
5°	3450
10°	2174
15°	1113
20°	591
25°	339
30°	188
35°	104
40°	62
45°	42
50°	30
55°	21
60°	17
65°	13
70°	10
75°	7
80°	4
85°	2
90°	1

Zonal Lumen Summary

Zone	Lumens	Luminaire %
0° - 30°	720	86%
0° - 40°	778	92%
0° - 60°	822	98%
0° - 90°	842	100%
0° - 180°	842	100%

Illuminance Chart

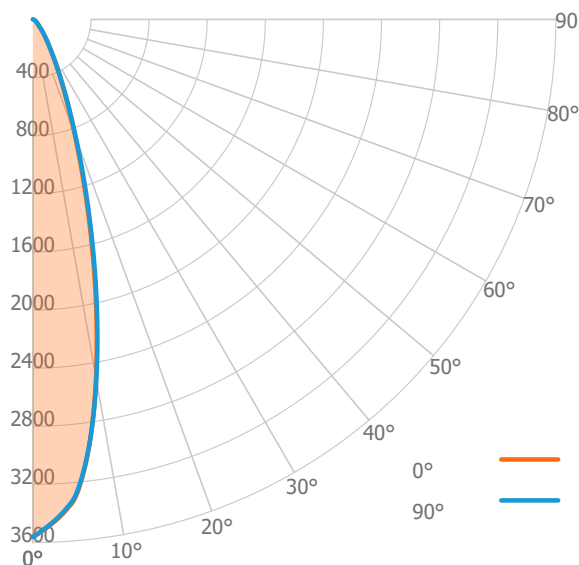
Distance from LED	Foot Candles	Diameter
3 ft	445.0 fc	1.1 ft
6 ft	111.2 fc	2.3 ft
9 ft	49.4 fc	3.4 ft
12 ft	27.8 fc	4.5 ft

Input Watts: **9.0 W**  
 Lumens: **842 lm**  
 Efficacy: **94 lm/W**  
 Beam Angle: **21°**

1000 lm, 3000K, Spot **XMD10930SPT**

2" Standard White Trim **X2TRDSWH**

Candela Distribution



Luminous Intensity

Angle	Luminous Intensity (cd)
0°	3560
5°	3311
10°	2504
15°	1547
20°	844
25°	455
30°	253
35°	149
40°	89
45°	56
50°	39
55°	28
60°	22
65°	17
70°	12
75°	9
80°	6
85°	3
90°	1

Zonal Lumen Summary

Zone	Lumens	Luminaire %
0° - 30°	876	84%
0° - 40°	960	92%
0° - 60°	1019	98%
0° - 90°	1044	100%
0° - 180°	1044	100%

Illuminance Chart

Distance from LED	Foot Candles	Diameter
3 ft	395.6 fc	1.5 ft
6 ft	98.9 fc	2.9 ft
9 ft	44.0 fc	4.4 ft
12 ft	24.7 fc	5.9 ft

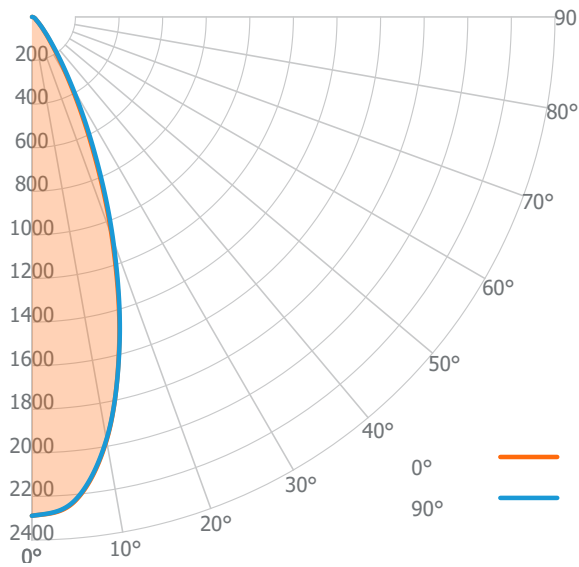
Input Watts: **12.0 W**  
 Lumens: **1044 lm**  
 Efficacy: **87 lm/W**  
 Beam Angle: **27° x 28°**

### PHOTOMETRY

1000 lm, 3000K, Flood **XMD10930FLT**

2" Standard White Trim **X2TRDSWH**

Candela Distribution



Luminous Intensity

Angle	Luminous Intensity (cd)
0°	2289
5°	2233
10°	1973
15°	1549
20°	1073
25°	645
30°	345
35°	178
40°	96
45°	57
50°	36
55°	24
60°	19
65°	15
70°	11
75°	8
80°	5
85°	3
90°	1

Zonal Lumen Summary

Zone	Lumens	Luminaire %
0° - 30°	860	82%
0° - 40°	967	92%
0° - 60°	1026	98%
0° - 90°	1048	100%
0° - 180°	1048	100%

Illuminance Chart

Distance from LED	Foot Candles	Diameter
3 ft	254.3 fc	2.1 ft
6 ft	63.6 fc	4.2 ft
9 ft	28.3 fc	6.3 ft
12 ft	15.9 fc	8.4 ft

Input Watts: **12.0 W**

Lumens: **1048 lm**

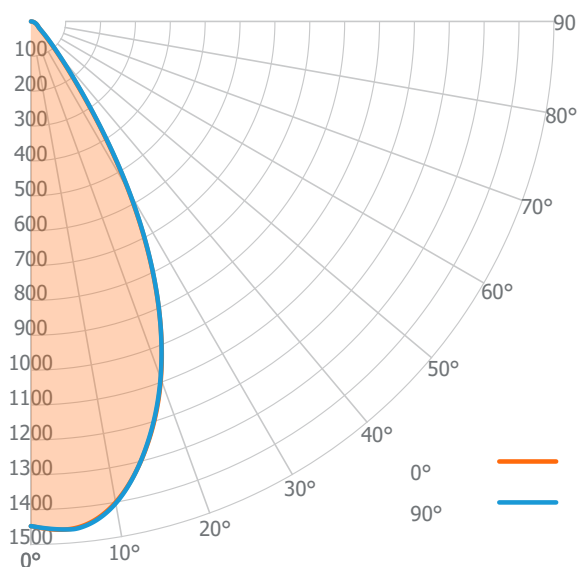
Efficacy: **87 lm/W**

Beam Angle: **38° x 39°**

1000 lm, 3000K, Wide Flood **XMD10930WFT**

2" Standard White Trim **X2TRDSWH**

Candela Distribution



Luminous Intensity

Angle	Luminous Intensity (cd)
0°	1447
5°	1459
10°	1400
15°	1271
20°	1090
25°	851
30°	562
35°	276
40°	122
45°	60
50°	35
55°	26
60°	21
65°	17
70°	13
75°	10
80°	6
85°	3
90°	1

Zonal Lumen Summary

Zone	Lumens	Luminaire %
0° - 30°	806	77%
0° - 40°	963	92%
0° - 60°	1025	98%
0° - 90°	1052	100%
0° - 180°	1052	100%

Illuminance Chart

Distance from LED	Foot Candles	Diameter
3 ft	160.8 fc	3.1 ft
6 ft	40.2 fc	6.2 ft
9 ft	17.9 fc	9.2 ft
12 ft	10.1 fc	12.3 ft

Input Watts: **12.0 W**

Lumens: **1052 lm**

Efficacy: **88 lm/W**

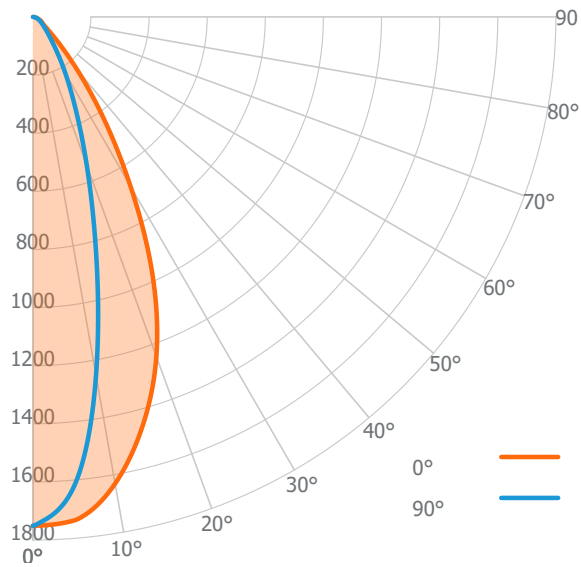
Beam Angle: **54° x 54°**

## PHOTOMETRY

1000 lm, 3000K, Linear Spread **XMD10930LST**

2" Standard White Trim **X2TRDSWH**

Candela Distribution



Luminous Intensity

	0°
0°	1751
5°	1736
10°	1631
15°	1458
20°	1243
25°	972
30°	672
35°	422
40°	238
45°	124
50°	68
55°	45
60°	37
65°	29
70°	22
75°	15
80°	9
85°	5
90°	1

Zonal Lumen Summary

Zone	Lumens	Luminaire %
0° - 30°	717	72%
0° - 40°	870	87%
0° - 60°	965	96%
0° - 90°	1003	100%
0° - 180°	1003	100%

Illuminance Chart

Distance from LED	Foot Candles	Diameter
3 ft	194.6 fc	3.0 ft
6 ft	48.6 fc	6.0 ft
9 ft	21.6 fc	9.0 ft
12 ft	12.2 fc	12.0 ft

Input Watts: **12.0 W**

Lumens: **1003 lm**

Efficacy: **84 lm/W**

Beam Angle: **53° x 29°**