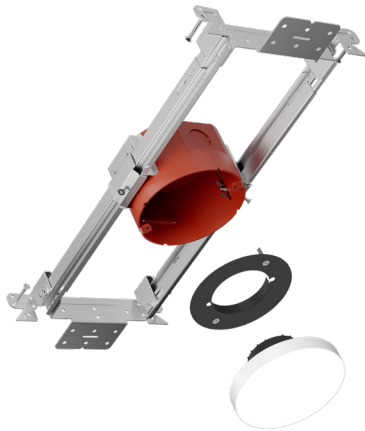


Project:	Type:
Product Code:	Date:

V 040924



4" Surface Mount Downlight

F4NC 4" New Construction
Fire Rated Shallow Junction Box

- Thinnest-in-class S Series delivers the pure, smooth light and the elegant look of a high-end recessed downlight
- Features multiple ratings to meet the demands of a wide range of situations
- The 4" Round and Square lights match the appearance of recessed lights

INSTALLATION

Ceiling Thickness

SurfaceFrame: 0" up to 1 1/2"

SurfaceFrame (Emergency): 1/2" up to 1 1/4"

Ceiling Material

Drywall

PHYSICAL

Housing

4" Round Junction Box

Application

New Construction

Shape

Round, Square

Finish

White

LIGHT OUTPUT & DISTRIBUTION

Module

Downlight

Lumens (Power)

750 lm (9.0W), 1000 lm (12.0W)

Color Quality

90+ CRI, <3-step SDCM

Color Temperature

● 2700K ● 3000K ● 3500K

Optics



General

POWER & CONTROLS

Input Voltage

120V only (TRIAC/ELV), 120/277V (0-10V)

Dimming

TRIAC/ELV (5%), 0-10V (1%)

Emergency Lighting

Optional Emergency LED Driver with integrated Test Switch for lighting up to 90 minutes in event of power failure

RATINGS & CERTIFICATIONS

Housing

● IC (Insulation Contact) Rated

● ASTM E283 Certified Air Tight

● Code compliant for use in fire-rated assemblies up to a maximum of 2-hours

● STC/IIC Sound Rated

● RoHS Compliant

Module

● UL Listed for Wet Location

● UL Closet Rating Compliant (750 lm only)

Additional Options

● Non-Conductive Dead Front

Warranty

5 year limited warranty; 50,000 hours



PRODUCT BUILDER - TRIAC/ELV, 0-10V

HOUSING

F4NC	4" New Construction Fire Rated Shallow Junction Box
-------------	---

MODULE

PRODUCT CODE		APERTURE		SHAPE		LUMENS		CRI		CCT		DRIVER	
DRD5S	Module	4	4" Aperture	R	Round	07	750 lm	9	90+ CRI	27	2700K	T	Integrated TRIAC/ELV, 120V only
				S	Square	10	1000 lm			30	3000K	O	Integrated 0-10V, 120/277V
										35	3500K	TDF	Integrated TRIAC/ELV, 120V only, Non-Conductive ¹
												ODF	Integrated 0-10V, 120/277V, Non-Conductive ¹

¹ Only available for Round shape, 750 lm, 2700K or 3000K CCT

PRODUCT BUILDER - EMERGENCY LIGHTING

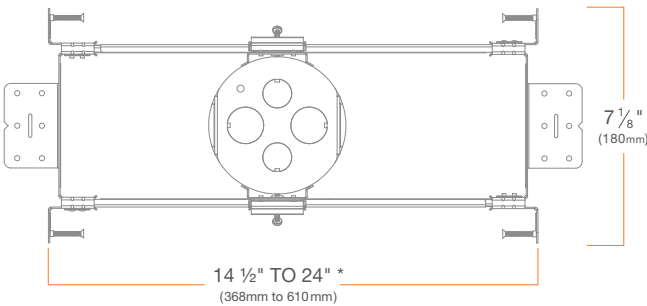
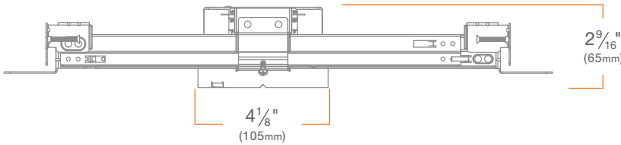
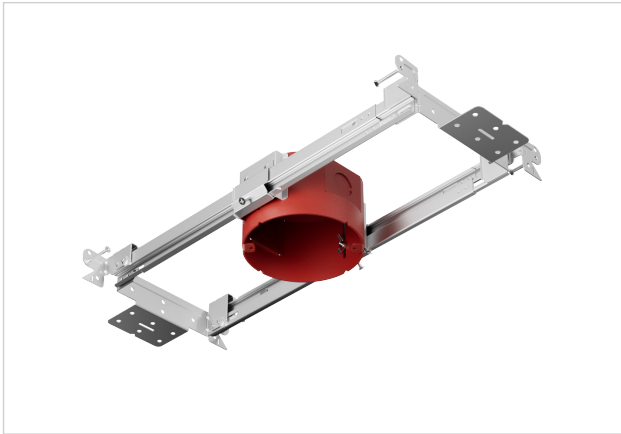
HOUSING

PRODUCT CODE		DRIVER		OPTION	
F4NC	4" New Construction Fire Rated Shallow Junction Box	70	0-10V, 750 lm	EM	EM Driver
		100	0-10V, 1000 lm		

MODULE

PRODUCT CODE		APERTURE		SHAPE		LUMENS		CRI		CCT		DRIVER	
DRD5S	Module	4	4" Aperture	R	Round	07	750 lm	9	90+ CRI	27	2700K	EM	Emergency with Integrated Test Switch
				S	Square	10	1000 lm			30	3000K		
										35	3500K		

HOUSING



* Can be field cut to minimum 7 1/2" (191mm)

SurfaceFrame

4" New Construction Fire Rated Junction Box

F4NC

SUMMARY

JUNCTION BOX: Equipped with (4) 1/2" trade size knockouts (two side, two top) to allow straight conduit runs. Approved for 6 (three in, three out) #12 AWG 70°C through wiring conductors.

MOUNTING: Pre-installed mounting brackets allow vertical adjustment of bar hangers up to 1"

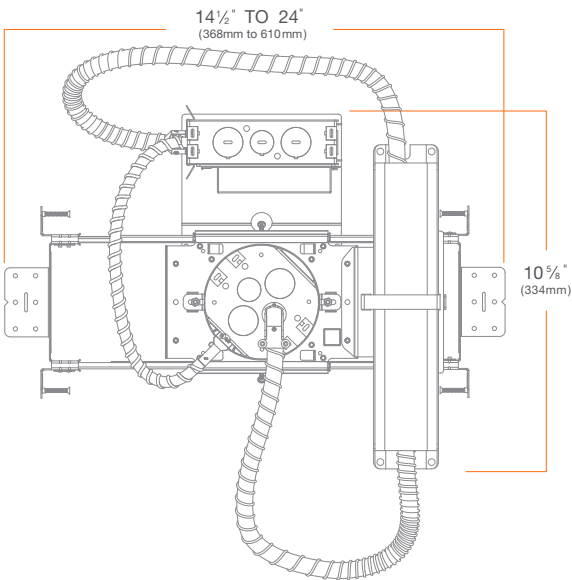
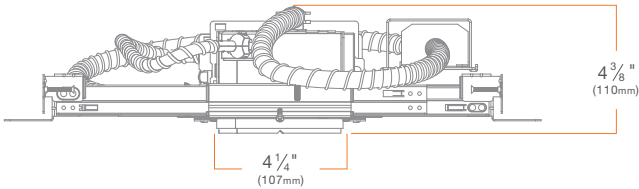
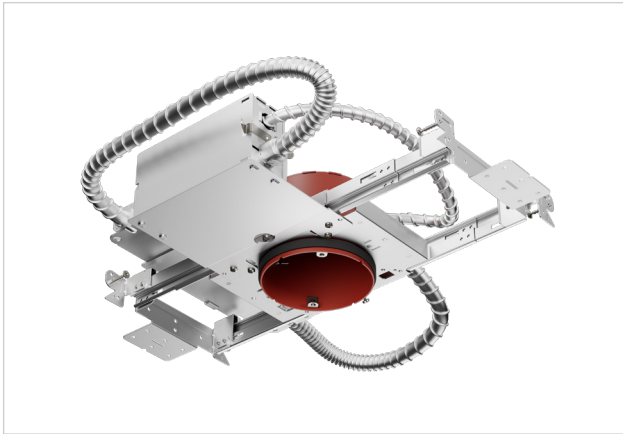
CEILING: 0 to 1 1/2"

CUTOUT: 4 3/16" (106mm) round opening

LISTINGS: Metallic outlet box certified UL514A, code compliant for use in appropriate fire-rated assemblies for up to 2-hours, STC/IIC Sound Rated, ASTM E283 certified Air Tight, IC (Insulation Contact) rated

WARRANTY: 5 year limited warranty

EMERGENCY HOUSING



* Can be field cut to minimum 9" (229mm)

SurfaceFrame

4" New Construction Fire Rated Junction Box with Emergency Lighting

F4NC

SUMMARY

JUNCTION BOX: Equipped with (4) 1/2" trade size knockouts (two side, two top) to allow straight conduit runs. Approved for 6 (three in, three out) #12 AWG 70°C through wiring conductors.

MOUNTING: Pre-installed mounting brackets allow vertical adjustment of bar hangers up to 1"

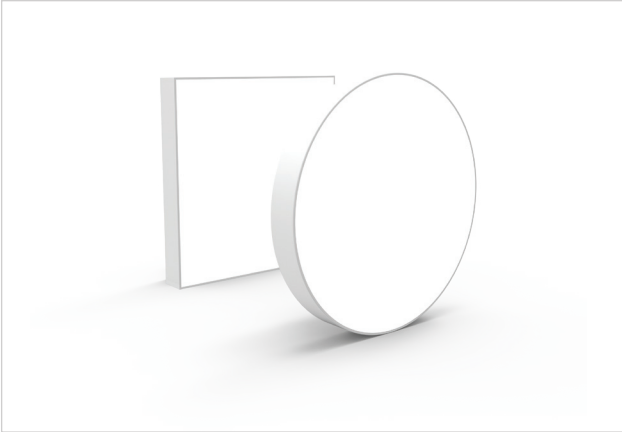
CEILING: 1/2" up to 1 1/4"

CUTOUT: 4 3/16" (106mm) round opening

LISTINGS: Metallic outlet box certified UL514A, code compliant for use in appropriate fire-rated assemblies for up to 2-hours, STC/IIC Sound Rated, ASTM E283 certified Air Tight, IC (Insulation Contact) rated

WARRANTY: 5 year limited warranty

MODULE

**DRD5S**

Surface Mount LED Module

DRD5S4R, DRD5S4S

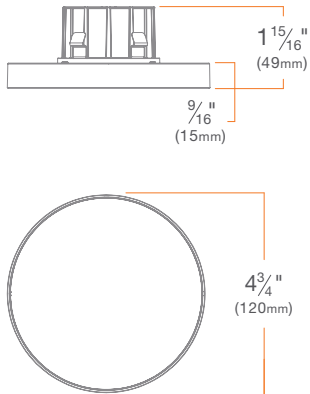
SUMMARY

LED: Optimized LED array**SHAPE:** 4" Round, 4" Square**MODULE LUMENS:** 750 lm (9.0W), 1000 lm (12.0W)**COLOR QUALITY:** 90+ CRI, less than 3-step SDCM**CCT:** 2700K, 3000K, 3500K**INPUT VOLTAGE:** 120V only (TRIAC/ELV), 120/277V (0-10V)****DIMMING:** Down to less than 5% for TRIAC/ELV at 120V,
1% for 0-10V at 120/277V**MAX INPUT CURRENT (120V):** 0.075 amps, 0.1047 amps**MAX INPUT CURRENT (277V):** 0.034 amps, 0.047 amps**POWER FACTOR:** Greater than 0.9**TOTAL HARMONIC DISTORTION:** Less than 20%**AMBIENT OPERATING TEMPERATURE:** -20°C to 40°C**EMERGENCY LIGHTING:** Optional Emergency LED Driver with
Integrated Test Switch for lighting up to 90 minutes in event of
power failure**PHOTOMETRIC TESTING:** Tested in accordance to IESNA
LM-79-2008**LISTINGS:** ENERGY STAR® Qualified*, California Title 24 2016-2022
JA8-E Compliant, UL Listed for Wet Location, UL Closet Rating
compliant (750 lm only), UL Certified US-CA**LIFETIME:** 50,000 hours at 70% lumen maintenance**WARRANTY:** 5 year limited warranty* Refer to ENERGY STAR Certified light fixtures database** Visit rb.gy/8xj3e to learn more

MODULE

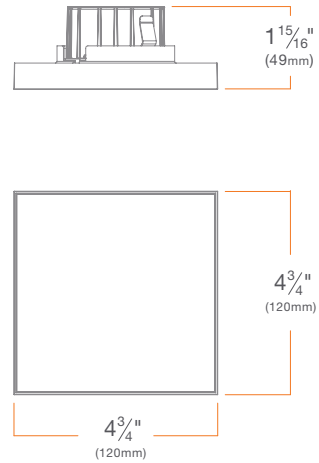
4" Round

DRD5S4R



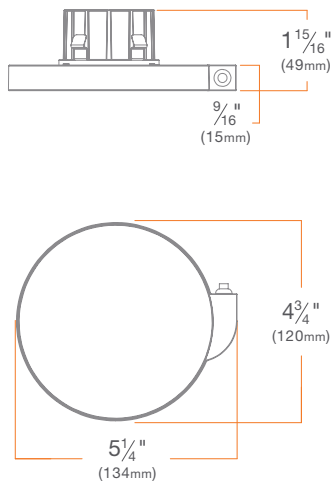
4" Square

DRD5S4S



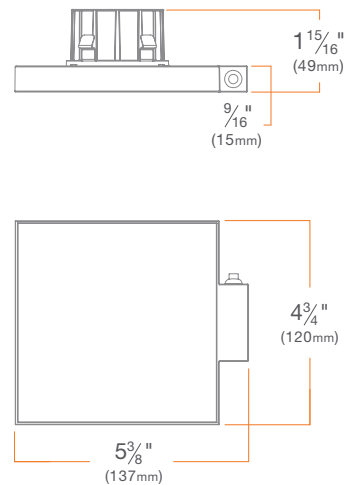
4" Round with EM Test Switch

DRD5S4R EM



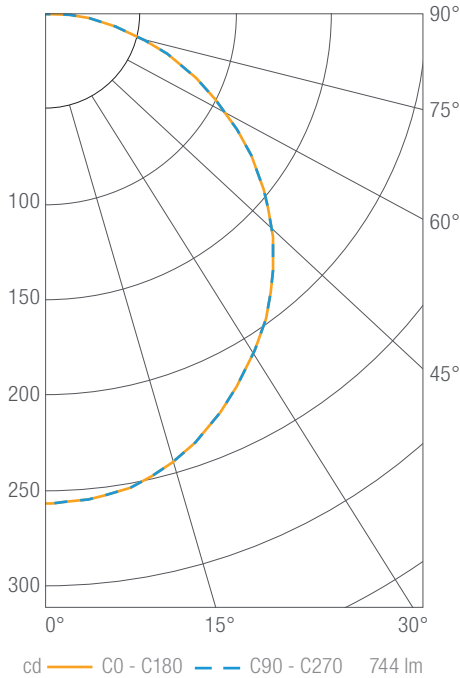
4" Square with EM Test Switch

DRD5S4S EM



PHOTOMETRY

DRD5S 4" Round, 750 lm, 90 CRI, 3000K DRD5S4R07930



Luminous Intensity

Gamma	C 0°
0°	258
5°	256
10°	253
15°	247
20°	237
25°	226
30°	213
35°	200
40°	185
45°	169
50°	151
55°	132
60°	113
65°	93
70°	73
75°	54
80°	35
85°	18
90°	6

Values in candela

Zonal Lumen Summary

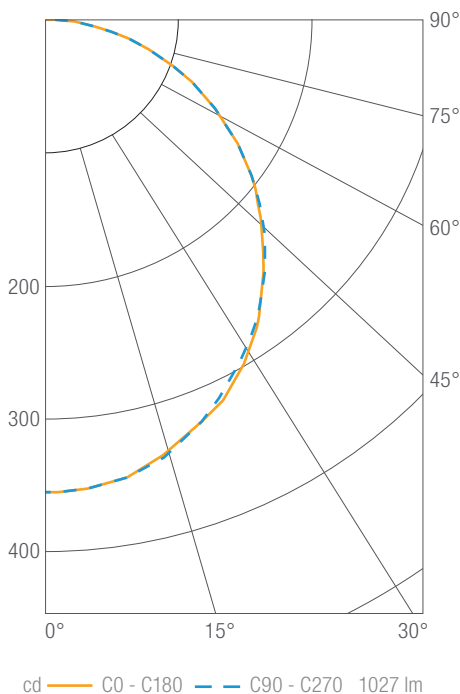
Zone	Lumens	Luminaire %
0-30	199	27
0-40	324	44
0-60	573	77
0-90	744	100
0-180	744	100

Illuminance Chart

Distance from LED	Foot Candles	Diameter
3.0'	29	8.8'
6.0'	7	17.7'
9.0'	3	26.5'
12.0'	2	35.3'

Beam Angle: 112°

DRD5S 4" Round, 1000 lm, 90 CRI, 3000K DRD5S4R10930



Luminous Intensity

Gamma	C 0°
0°	356
5°	354
10°	349
15°	340
20°	327
25°	312
30°	294
35°	276
40°	255
45°	233
50°	209
55°	183
60°	155
65°	128
70°	101
75°	74
80°	48
85°	25
90°	9

Values in candela

Zonal Lumen Summary

Zone	Lumens	Luminaire %
0-30	274	27
0-40	447	44
0-60	790	77
0-90	1027	100
0-180	1027	100

Illuminance Chart

Distance from LED	Foot Candles	Diameter
3.0'	40	8.8'
6.0'	10	17.7'
9.0'	4	26.5'
12.0'	2	35.3'

Beam Angle: 112°