



dmf

Application Guide

Premier
0.5 Concealed Linear

Premier 0.5 Concealed Linear

A Modular Approach to Linear

The 0.5 Concealed Linear is DMF's Premier low-voltage linear solution, designed to deliver reliability, serviceability and performance beyond expectations in a flexible, modular design that scales to projects of any size.



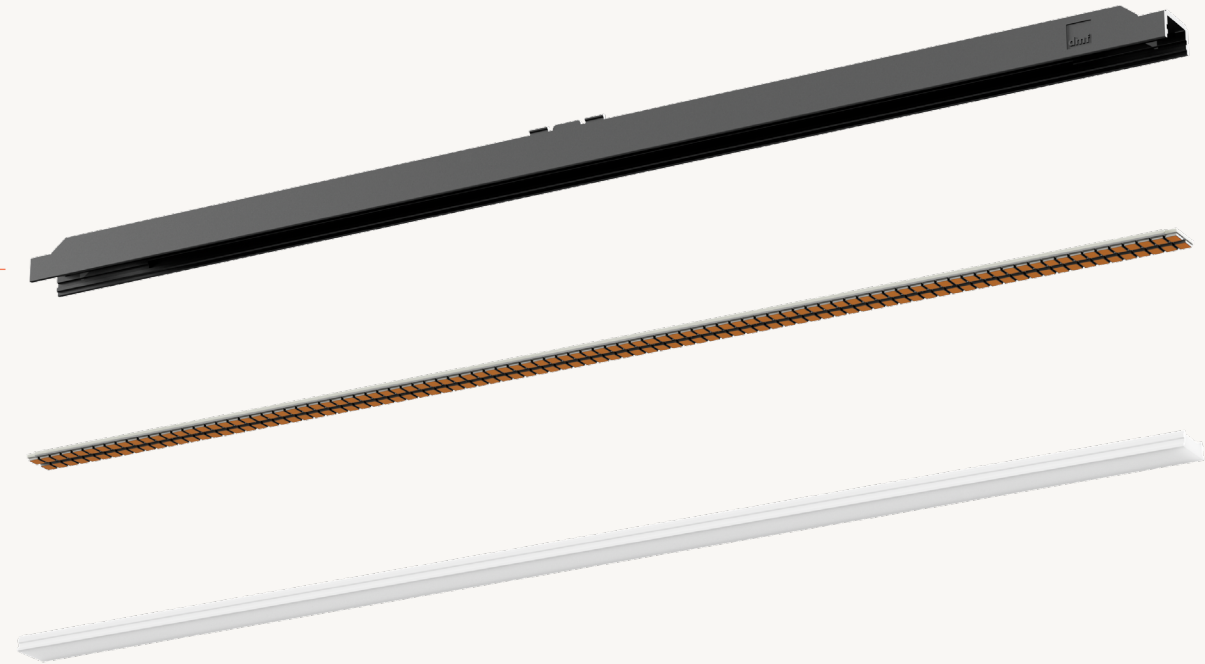
0.5" Low Voltage Concealed Linear System

- 0.5 in. x 0.5 in. Fixture Profile
- Always Dot-Free, Fully Blended Lensing
- 400 lm/ft at 4W, Delivered
- Modular Design in 12", 2" and 1" Segments

Fixture Construction

Rigid Fixture Body

Rigid 3mm Copper PCB with Custom Die LEDs and Integrated Circuits



Dot-Free Silicone Lens with Co-Extruded Reflector

Typical Installation

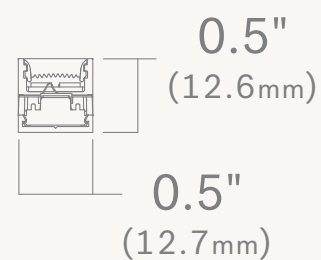
Modular fixture segments join with solder-free connectors and mounting tracks to provide fast, in-field installation, easy serviceability and the reliability of a factory-built linear fixture.



Premier 0.5 Concealed Linear

Mounting Options

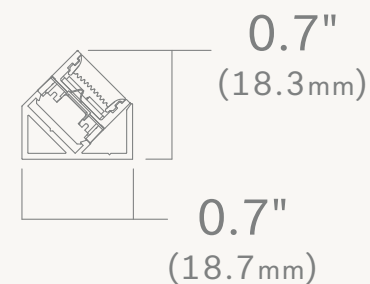
- Tracks sold in lengths of 84 inches (7 feet)
- Tracks are pre-drilled every 6 inches
- #4 1/2" wood screws and alignment tool included with each track



Flat Track (FL)

LS05TFL84BK

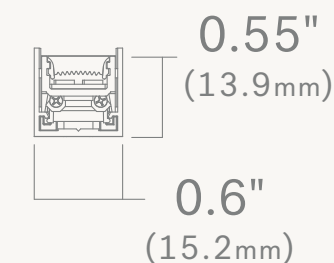
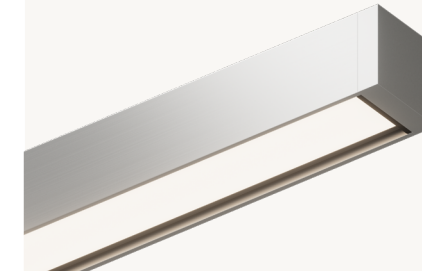
- Surface-mount installations
- Recessed into millwork
- Most standard mounting applications
- Available in Black



45° Track (45)

LS05T4584BK

- 45° Angled Mounting
- Vertical millwork, wine racks
- Backsplash washing
- Available in Black



Surface Mount Channel (CH)

LS05TCH84SS

- Provides extra protection
- Bar die washing
- Toe kicks
- Available in White, Satin Silver and Custom Color

Premier 0.5 Concealed Linear

SpectraFusion™



The 0.5 Concealed Linear's custom-engineered SpectraFusion™ lensing and co-extruded reflector work alongside a custom-die LED package to deliver outstanding efficacy that rivals fixtures with a clear lens.

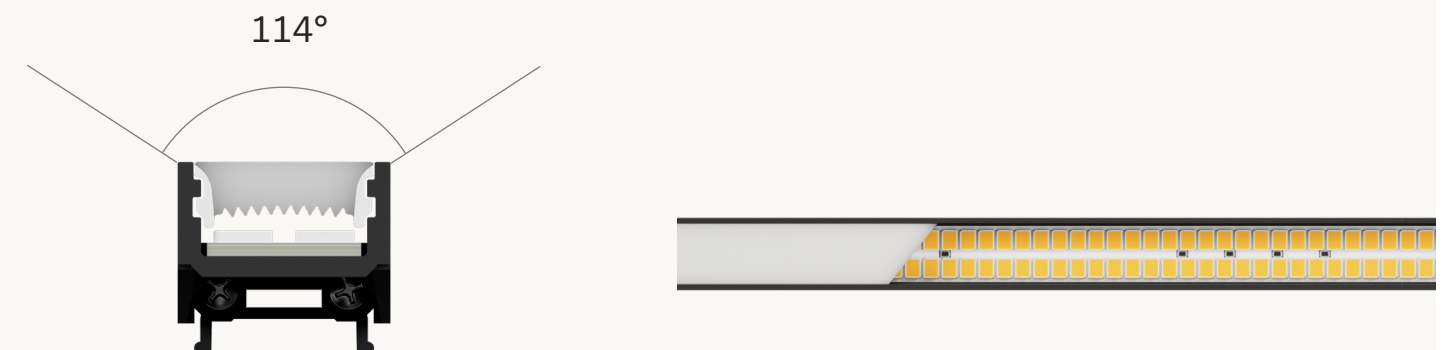
Dot-free lensing is crucial for virtually all linear applications, creating a seamless, clean lighting effect, and is especially important in proximity to polished stone and other reflective materials.

Luminous Efficacy for Dot-Free Lensing

SPECIFICATION	DMF	BRAND A	BRAND B	BRAND C
Wattage	4.0 W/ft	4.0 W/ft	3.7 W/ft	6.0 W/ft
Delivered Lumens	400 lm/ft	261 lm/ft	209 lm/ft	255 lm/ft
Efficacy (lm/W)	100 lm/W	65 lm/W	56 lm/W	42.5 lm/W

The fixture's soft-touch silicone lens is naturally resistant to fading and discoloration, and features a dust-resistant coating for effortless cleaning and maintenance.

The high density LED array delivers smooth, always dot-free illumination, and boosts efficacy by reducing drive current to the LEDs. This translates to reduced heat and increased fixture longevity, extending the life of the driver and fixture.

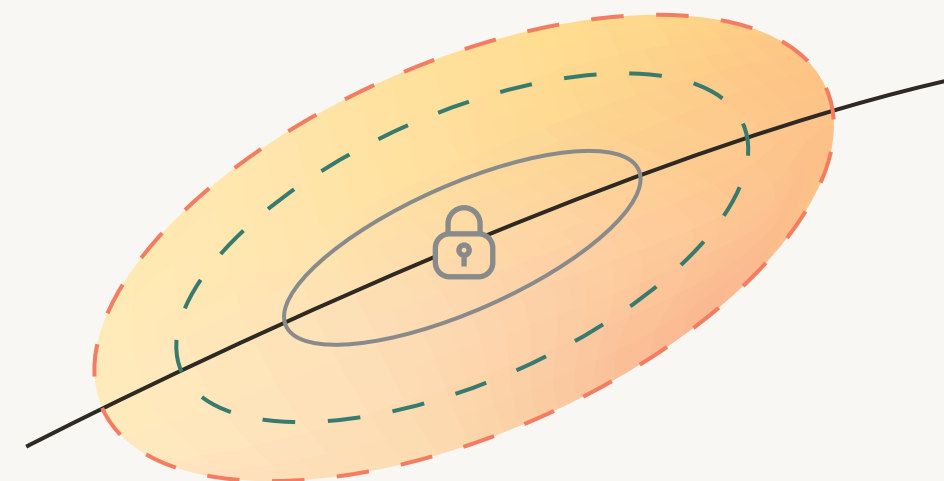


Co-extruded flat lens and reflector

192 discrete LEDs per foot

Premier 0.5 Concealed Linear

SpectraLock™



Color matching between point-source fixtures and linear fixtures is crucial to creating a cohesive space, yet it has traditionally been a significant challenge.

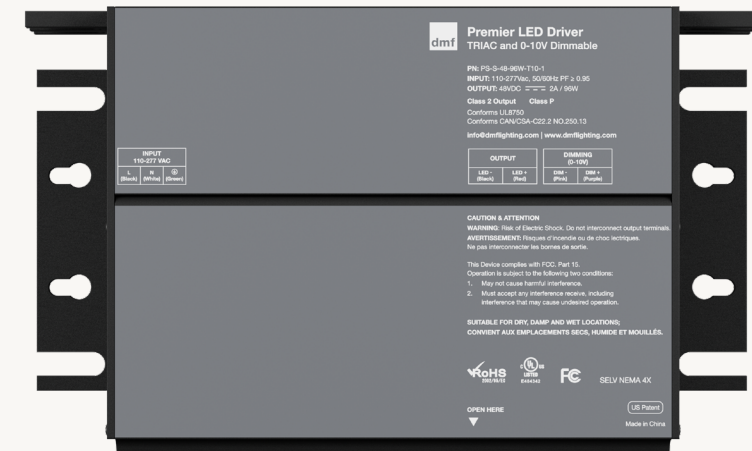
SpectraLock™ technology delivers consistent CCT and color point across DMF's Premier product families, ensuring cohesive light color throughout a project regardless of fixture type or optical configuration.



The 0.5 Concealed Linear's custom single-bin LEDs are precisely matched to DMF's complementary static-CCT downlights and cylinders, delivering a seamless blend between light sources throughout a space.

Premier 0.5 Concealed Linear

SpectraDrive™



The Premier LED Driver and 0.5 Concealed Linear system operate at 48 VDC, allowing up to 200 ft. of home-run length between the remote driver and fixtures using 16/2 wire.

The combination TRIAC/0-10V driver delivers precise low-end dimming to 0.1% with 0-10V control.

Reliable, smooth dimming and consistent end-to-end intensity are essential requirements for linear lighting.

DMF's SpectraDrive technology delivers premium, reliable performance, no matter the distance or scale of the project.



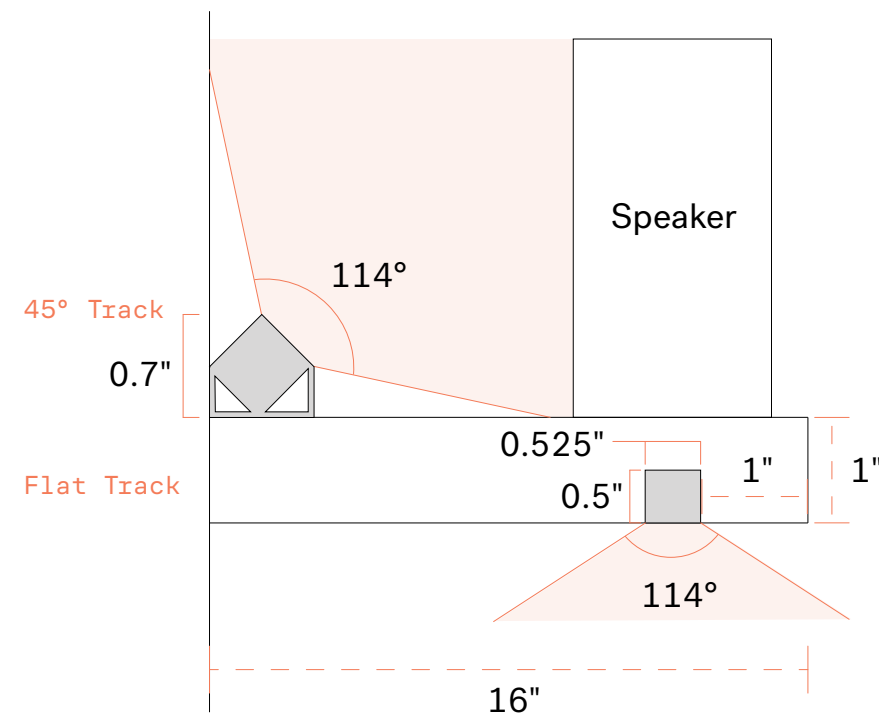
DMF's purpose-engineered drivers work in unison with integrated circuits in every fixture segment to virtually eliminate voltage drop and deliver consistent end-to-end performance for illuminated fixture lengths up to 20 ft.

Premier 0.5 Concealed Linear

Undercabinet & Millwork

The 0.5 Concealed Linear's minimal 0.5 in. x 0.5 in. profile integrates seamlessly into millwork applications where brilliant, dot-free illumination is critical to creating dynamic, immersive lighting environments.

Flat and 45° mounting options provide versatility and ensure proper coverage regardless of the application.



0.5 Concealed Linear

45° Track

Application:
Over Cabinet Uplight

The 45° mounting angle directs more light onto the ceiling in over-cabinet installations.



0.5 Concealed Linear

Flat Track

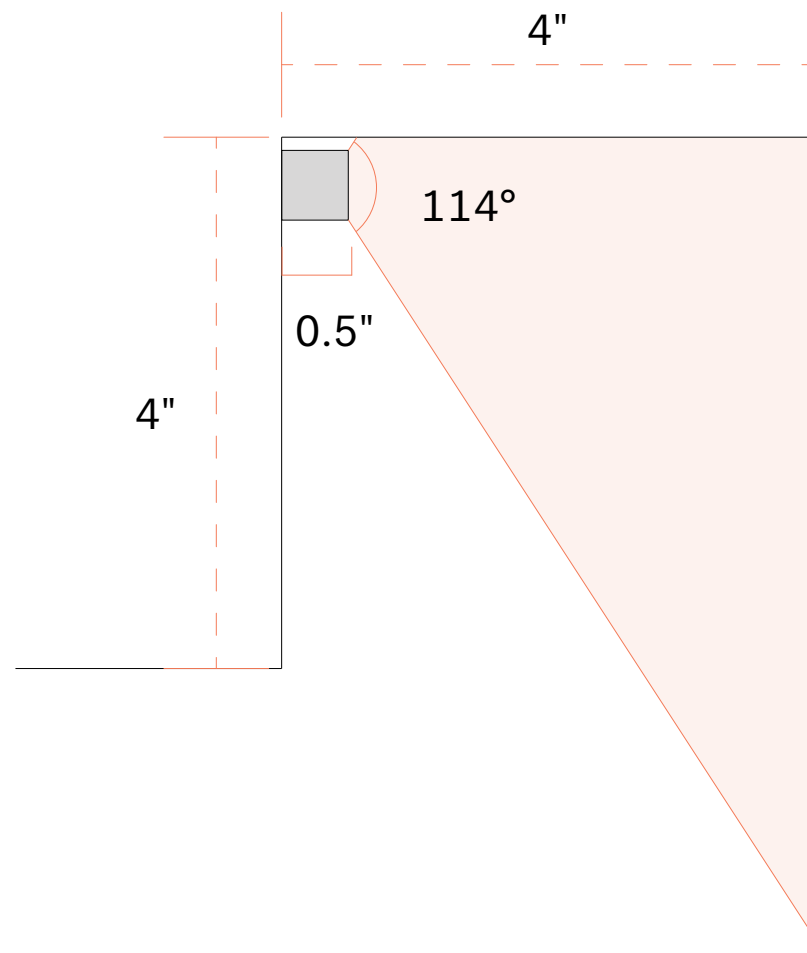
Application: Millwork Recess

The Flat Track easily recesses into millwork by routing a channel width of at least 0.525", to a depth of 0.5".

Coves

The 0.5 Concealed Linear's high efficacy and light output make it an excellent choice for cove applications.

The fixture's high-quality, dot-free lens delivers smooth, even illumination, creating a clean, seamless lighting effect across a wide range of material finishes.



0.5 Concealed Linear

Flat Track

Application: Indirect Cove

The Flat Track, mounted to the inside vertical surface of the cove, provides soft, diffused indirect illumination.



0.5 Concealed Linear

Surface Mount Channel

Application: Indirect Cove

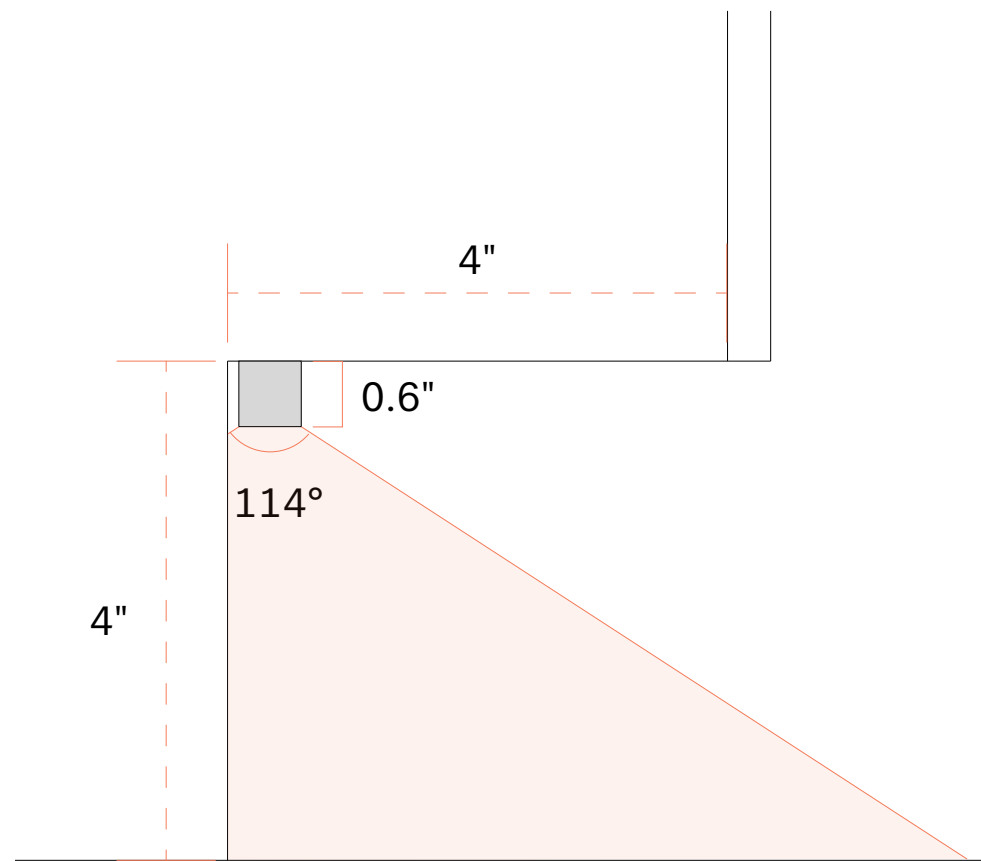
Alternate Option: The Surface Mount Channel provides additional finish options, such as white, to mask the fixture in more visible locations.

Premier 0.5 Concealed Linear

Accents

Bar Die, Toe Kicks & Banquettes

The 0.5 Concealed Linear's compact profile and high output make it ideal for accent lighting applications, adding layers of illumination that create depth, visual comfort and a more refined architectural environment.



0.5 Concealed Linear

Surface Mount Channel

Application: Toe Kick

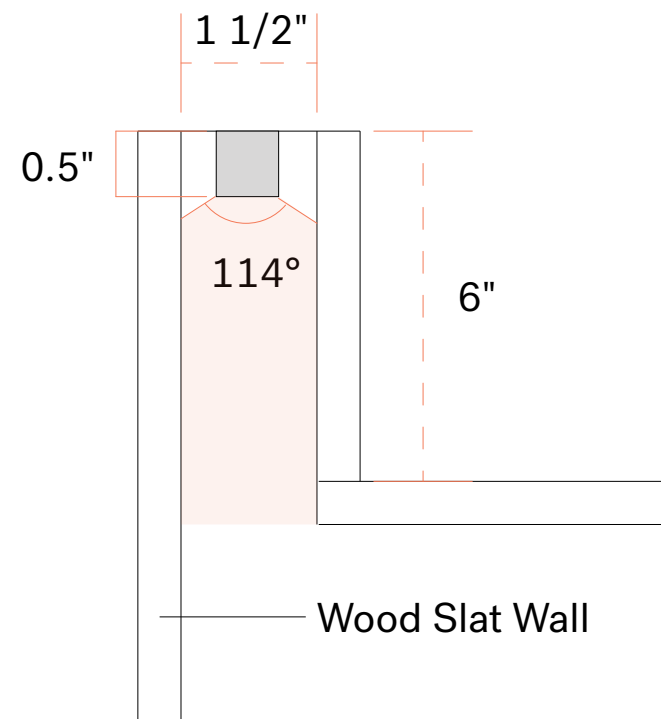
The Surface Mount Channel also provides additional fixture protection in high-traffic areas, such as toe kicks.

Premier 0.5 Concealed Linear

Grazing

Accent and Feature Walls

The 0.5 Concealed Linear's small profile is well suited for grazing applications in intimate or confined spaces. Its 0.5 in. profile fits within tight coves, minimizing light spill and fixture visibility.



0.5 Concealed Linear

Flat Track

Application: Grazing

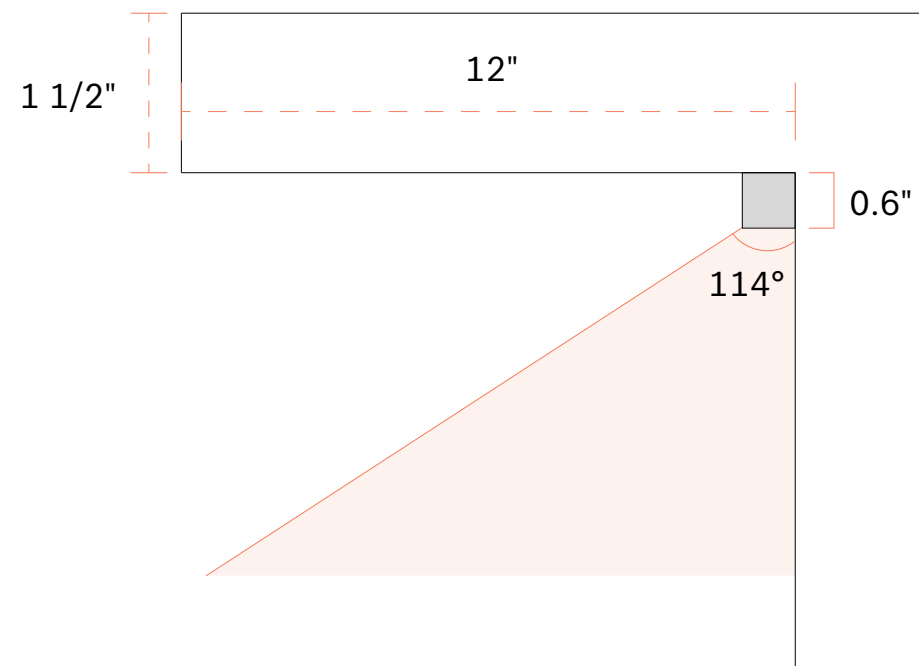
The relatively narrow, tall cove creates a dramatic cutoff, minimizing light spill and fixture visibility.

Premier 0.5 Concealed Linear

Accents

Bar Die Wall

Bar die walls are another example of high-traffic areas that require secure mounting and can also benefit from the Surface Mount Channel's additional finish options.



0.5 Concealed Linear

Surface Mount Channel

Application: Bar Die Wall

For installations near light-colored materials, the Surface Mount Channel provides additional finish options to help the fixture blend in.

Installation Considerations

Mounting Track

Mounting tracks require a flat, even substrate capable of accepting 1/2-in. wood screws. Tracks are predrilled every 6 inches. Use screws at least every 12 inches and within 3 inches of the end of each track.



Track Alignment Tool

The included Track Alignment Tool ensures tracks are mounted precisely, ensuring a seamless installation.



Recessing into Millwork

For recessed millwork applications, utilize the Flat Track and route a channel a minimum of 0.525 in. wide, and to a depth of 0.5 in.

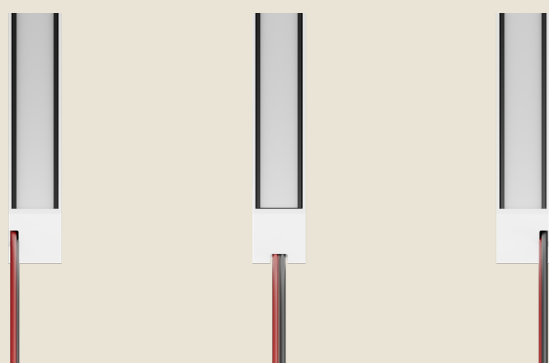


Universal Wire Exit

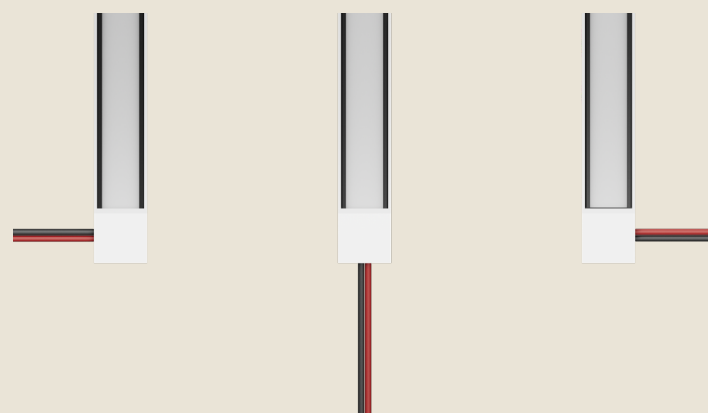
Channel End Caps

Channel End Caps are available in two styles:
End Feed and Rear/Side Feed.

Both end caps can be positioned in the field to
route wiring in the proper direction.



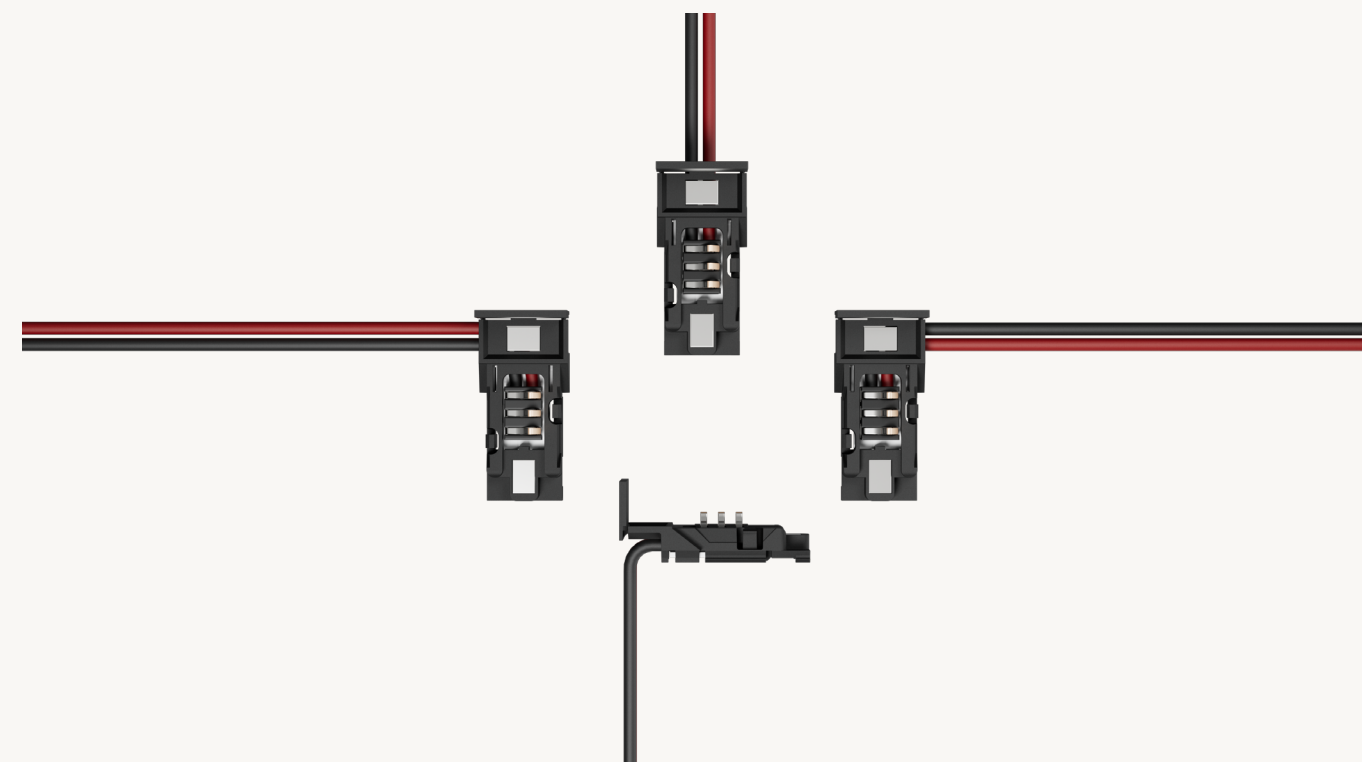
End Feed Caps allow the
wire to run straight out of
the channel, or bend down.



Rear/Side Feed Caps feature a
closed end that allows the wire to
exit directly downward or through
either side of the channel.

Power Feed and Jumpers

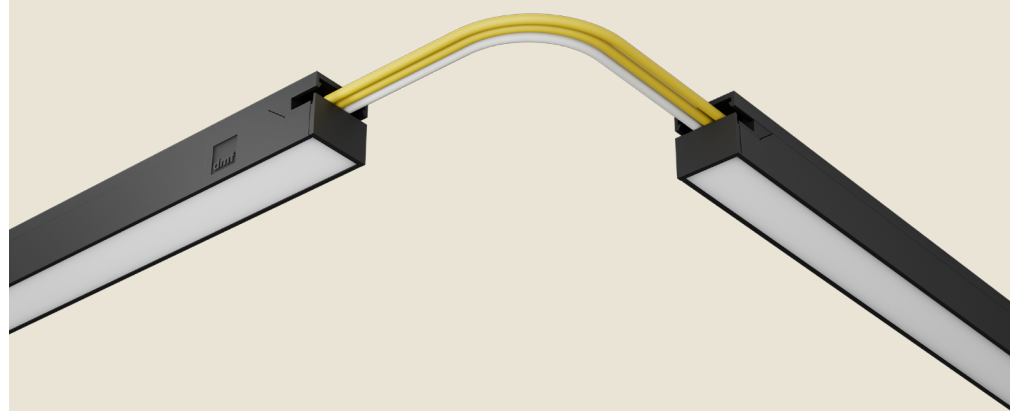
Power feeds and jumpers feature a universal wire-exit design,
suited for virtually any application or installation, with wires
able to exit straight back or bend left, right or down.



Installation Considerations

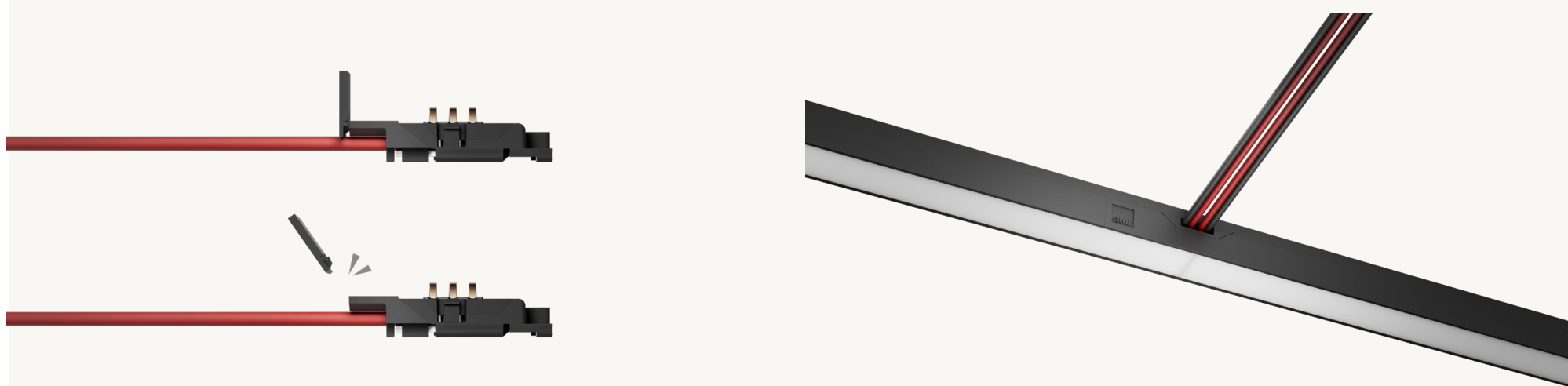
Jumpers

For non-continuous runs, corners or other angles, jumpers transfer power to subsequent fixture segments. Standard 6-in. and 24-in. lengths may also be cut and spliced in the field.



Seamless End-to-End Runs

For straight runs exceeding the 20 foot capacity of a single driver, power feeds and jumpers feature removable dead-end covers that enable seamless middle-feed configurations in the field.



dmf

1118 E 223rd Carson, CA 90745 | 323.934.7779

© 2026 DMF Lighting. All Rights Reserved.

dmflighting.com

For Patent information, please visit:
dmflighting.com/ourpatents/